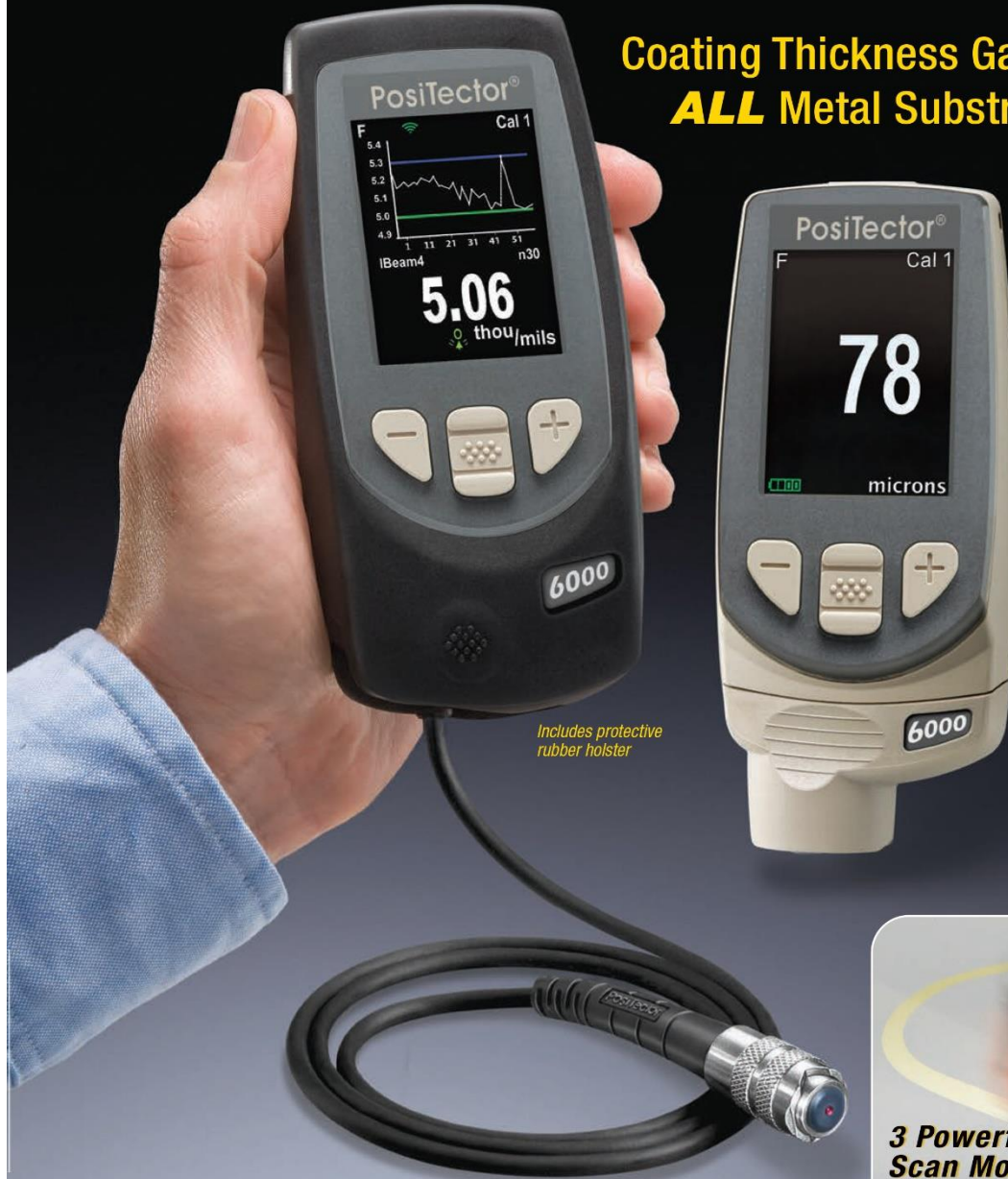


PosiTector® 6000 Series

Coating Thickness Gages for
ALL Metal Substrates



*Includes protective
rubber holster*



**3 Powerful
Scan Modes**

Advanced models only

DeFelsko®
The Measure of Quality



Available on the
App Store



PosiTector®
SmartLink
Compatible



PosiTector® 6000 Series

All Gages Feature...

Simple

- **NEW** Faster measurement speed—60+ readings per minute
- Ready to measure—no adjustment required for most applications
- Enhanced one-handed menu navigation
- Flashing display—ideal in a noisy environment
- RESET feature instantly restores factory settings

Durable

- Solvent, acid, oil, water and dust resistant—weatherproof
- Wear-resistant probe tip
- Shock-absorbing, protective rubber holster with belt clip
- Two year warranty on gage body AND probe

Accurate

- Certificate of Calibration showing traceability to NIST or PTB included
- Built-in temperature compensation ensures measurement accuracy
- Hi-RES mode increases displayed resolution for use on applications that require greater precision
- Conforms to national and international standards including ISO and ASTM

Versatile

- PosiTector body accepts all PosiTector 6000, 200, RTR, SPG, DPM, SST, SHD and UTG probes easily converting from a coating thickness gage to a surface profile gage, dew point meter, soluble salt tester, Shore hardness durometer or ultrasonic wall thickness gage
- Multiple calibration adjustment options including 1 point, 2 point, known thickness, average zero
- Selectable display languages
- High contrast LCD with backlit display
- Flip Display enables right-side-up viewing
- Extended cables available (up to 75 m/250 ft) for remote measuring
- Uses alkaline or rechargeable batteries (built-in charger)

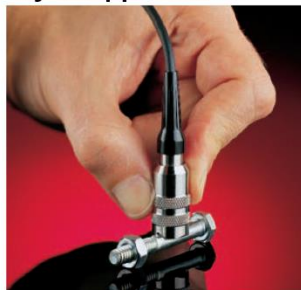
Powerful

- Continually displays/updates average, standard deviation, min/max thickness and number of readings while measuring
- Screen Capture—save screen images for record keeping and review
- HiLo alarm audibly and visibly alerts when measurements exceed user-specified limits
- **NEW** Enhanced FAST mode—90+ readings per minute for quick inspection
- Sealed USB port for fast, simple connection to a PC and to supply continuous power. USB cable included.
- PosiSoft USB Drive—stored readings and graphs can be accessed using universal PC/Mac web browsers or file explorers. No software required.
- Every stored measurement is date and time stamped
- Includes PosiSoft suite of software for viewing and reporting data (see right panel)

Probes available for a variety of applications



For measuring paint, powder, etc.
on all metals...



...and for measuring galvanizing, plating,
anodizing and more.

Standard Models

Includes ALL features as shown on left plus...

- Storage of 250 readings per probe—stored readings can be viewed or downloaded

Advanced Models

Includes ALL features as shown on left plus...

- Storage of 100,000 readings from multiple probes in up to 1,000 batches and sub-batches
- Live graphing of measurement data
- 3 Scan Modes — increase measurement speed to 180+ readings per minute
 - **Normal** – take continuous readings without lifting the probe
 - **NEW Statistics** – take continuous readings and record average, standard deviation, min/max thickness and number of readings while scanning
 - **NEW Limited Count Average** – take continuous readings up to a user-specified count. The gage displays and records the average of the readings.
- Multiple stored calibration adjustments for measuring on a variety of substrate conditions
- SSPC-PA 2 feature determines if film thickness over a large area conforms to user-specified min/max levels
- PSPC 90/10 feature determines if a coating system complies with an IMO performance standard for protective coatings
- WiFi technology wirelessly synchronizes with PosiSoft.net and downloads software updates
- **Bluetooth 4.0 Technology** for data transfer to a mobile device running the PosiTector App or optional portable printer. **BLE API** available for integration into third-party software.
- Onscreen Batch Annotation—add notes, change batch names and more with built-in QWERTY keyboard

PosiTector SmartLink™

- Wirelessly connect PosiTector 6000 probes to your smart device

Select from a variety of measurement ranges and probe styles

(see back page ordering guide)



Cabled
Probe Style



Integral
Probe Style

Removable Probes can be detached and replaced with any one of our wide variety of probes



Thick

90°

0°

45°

Regular

NDT Supply.com, Inc.

7952 Nieman Road
Lenexa, KS 66214-1560 USA



Rugged Features...

Sealed USB Port
for communicating
with a PC or Mac

Water and dust
resistant



High contrast color
LCD with backlit display

Scratch/solvent/impact
resistant lens

Multi-function
navigation button

Solvent, acid, oil
resistant, high grade,
industrial strength
housing

Advanced Model shown in Memory Mode

Quality high-flex
cable and strain relief

Stainless steel probe
with knurled finger grip

Strong wear-resistant
ruby-tipped probe



All Regular Cabled Probes
are suitable for underwater use

PosiSoft® ...FREE SOLUTIONS for viewing, analyzing and reporting data:



PosiSoft Desktop

Powerful desktop software for
downloading, viewing, printing
and storing measurement data.
Includes customizable, templated
PDF Report Generator. No internet
connection required.

PosiSoft.net

A web-based application offering secure centralized
management of readings. Includes customizable,
templated PDF Report Generator. Access your
data from any web-connected device.



PosiTector App

Mobile app connects PosiTector
Advanced instruments, the
PosiTector SmartLink and the
PosiTest AT-A to your *iOS* or
Android smart device.



PosiSoft USB Drive

A simple gage interface to retrieve
data in a manner similar to USB
flash drives, cameras, or digital
audio players. No software to
install or internet connection
required.



Award Winning Compatibility!

- Coating Thickness
- Surface Profile
- Environmental Conditions
- Shore Hardness
- Salt Contamination
- Ultrasonic Wall Thickness



Duplex Probe measures individual layer thicknesses
of zinc and paint in a duplex coating system



Xtreme Probes with Alumina wear faces
and braided cables for hot/rough surfaces



Thick Probes series for thick protective
coatings: epoxy, rubber, fireproofing and more



Microprobe series for small parts
and hard-to-reach areas

Phone: 913-685-0675
Fax: 913-685-1125

sales@ndtsupply.com
www.ndtsupply.com

NDT Supply.com, Inc.

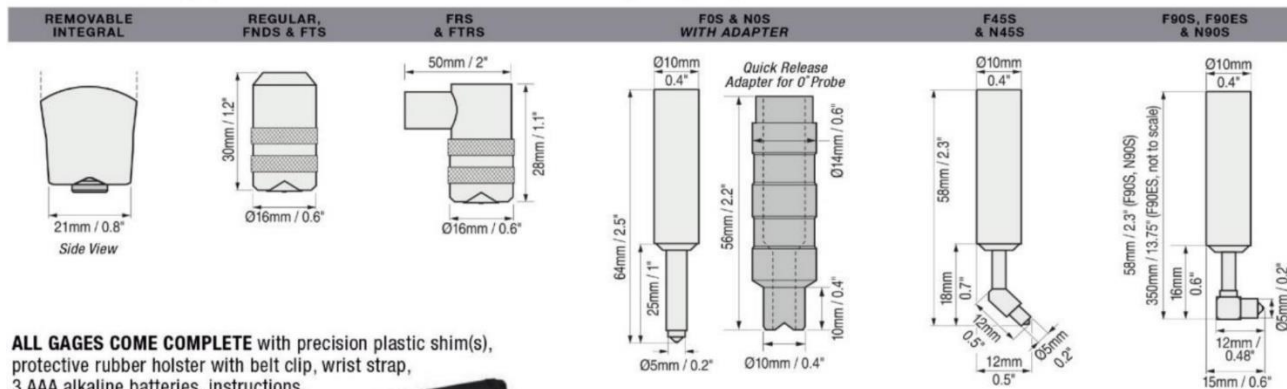
7952 Nieman Road
Lenexa, KS 66214-1560 USA



	Our most popular Integral and Cabled probe models	90° Regular probe for tight spots	Ideal for duplex coating systems	Ideal for hot and rugged applications	Ideal for anodized aluminum	Microprobes – Our smallest probes for small parts or hard-to-reach areas				Integral and Cabled probes for thick protective coatings; epoxy, rubber, intumescent fireproofing and more					
FERROUS	Standard F1	FS1	FRS1	FXS1 ¹	FOS1	F45S1	F90S1	F90ES1	FT1	FTS1	FTRS1	FHXS1 ^{1,2}	FKS1	FJS1	FLS1
	Advanced F3	FS3	FRS3	FXS3 ¹	FOS3	F45S3	F90S3	F90ES3	FT3	FTS3	FTRS3	FHXS3 ^{1,2}	FKS3	FJS3	FLS3
NON-FERROUS	Standard N1	NS1	NRS1		NAS1	NOS1	N45S1	N90S1					NKS1		
	Advanced N3	NS3	NRS3		NAS3	NOS3	N45S3	N90S3					NKS3		
COMBINATION	Standard FN1	FNS1	FNRS1	FNDS1 ³						FNTS1					FNGS1 ⁴
	Advanced FN3	FNS3	FNRS3	FNDS3 ³						FNTS3					FNGS3 ⁴
Range	0–60 mils 0–1500 µm			0–80 mils 0–2000 µm	Ferrous: 0–45 mils and 0–1150 µm Non-Ferrous: 0–25 mils and 0–625 µm				0–250 mils 0–6 mm		0–400 mils 0–10,000 µm	0–500 mils 0–13 mm	0–1.0 in. 0–25 mm	0–1.5 in. 0–38 mm	0–2.5 in. 0–63.5 mm
Accuracy⁵	±(0.05 mil + 1%) 0-2 mils ±(0.1 mil + 1%) >2 mils ±(1 µm + 1%) 0-50 µm ±(2 µm + 1%) >50 µm				±(0.02 mil + 1%) 0-4 mils ±(0.1 mil + 3%) >4 mils ±(0.5 µm + 1%) 0-100 µm ±(2 µm + 3%) >100 µm				±(0.5 mil + 1%) 0-100 mils ±(0.5 mil + 3%) >100 mils ±(0.01 mm + 1%) 0-2.5 mm ±(0.01 mm + 3%) >2.5 mm		±(0.1 mil + 3%)	±(1 mil + 3%)	±(0.01 in. + 3%) ±(0.2 mm + 3%)		
Matching Defelsko Calibration Standards	STDS1 STDA1			STDS4	STDS2 STDA2				STDP1		STDP7	STDP5	STDP2	STDP8	

Ferrous probes measure non-magnetic coatings on ferrous metals. **Non-Ferrous probes** measure non-conductive coatings on non-ferrous metals. 1) **FXS/FHXS Xtreme probe series** with Alumina wear face and braided cable — ideal for rough or hot surfaces up to 250° C (500° F). 2) **FHXS probe** measures non-conductive coatings on steel only. 3) See website for full **FNDS probe** accuracy information. 4) **FNGS probe** measures non-conductive coatings on all metals. 5) Accuracies are stated as a fixed value plus a percentage of the gage's actual reading.

Probe Details (All probe details can be found online at www.defelsko.com/p6000/probes)



ALL GAGES COME COMPLETE with precision plastic shim(s), protective rubber holster with belt clip, wrist strap, 3 AAA alkaline batteries, instructions, protective lens shield, convenient carrying case, Long Form Certificate of Calibration traceable to NIST or PTB, USB cable, PosiSoft Software, two (2) year warranty.

SIZE: 137 x 61 x 28 mm (5.4" x 2.4" x 1.1")

WEIGHT: 140 g (4.9 oz.) without batteries

Conforms to ISO 2178/2360/2808, ISO 19840, ASTM B244/B499/D1186/D1400/D7091/E376/G12, BS3900-C5, SSPC-PA2 and others



Options

Coating Thickness Standards to fulfill both ISO and in-house quality control requirements

Probe Foot Rings Durable Delrin ring allows the probe to slide easily while scanning

Telescopic Probe Extender for use with the PosiTector 6000 FS, NS, FNS, FXS, FNDS, NAS and FTS probes.
■ Provides up to 124 cm (49") of reach and collapses to 47 cm (18.5") for easy storage



For a complete list of product features and available options visit www.defelsko.com