

BALTOSPOT GFD165



High voltage range:	50 to 160kV
Tube current range:	1 to 5 mA
Beam angle:	55°
Inherent Filtration (mm):	6 Al
Anode cooling type:	Air
Duty cycle:	100%**
Insulation:	SF6 gas
Mains:	180 - 260V
Temp. switch:	70°C
Weight (without rings):	12 kg
Tubehead:	Glass
Control Unit:	CF2000 or Hand-X

MAIN FEATURES

- High frequency
- Air cooled
- Very small & lightweight
- Unique energy recovery module
- Hand-X wireless remote operation availability
- Rugged and light control unit
- Safety first, x-ray start with 2 buttons
- Full automatic preheating
- Cables with reduced size and weight
- Works on power generator



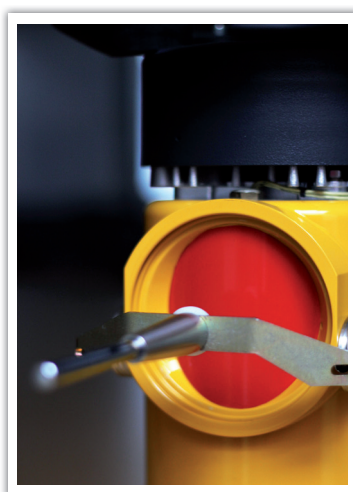
Canon mil. metallic connector

KEY ADVANTAGES

- High stability output dose
- Lightweight
- Can be delivered with our 900g Hand-X including a Geiger-Müller detector
- Low power consumption
- Unmatched safety
- Very reliable
- Long term stable density
- Ergonomic guard rings
- CANON mil. metallic connectors

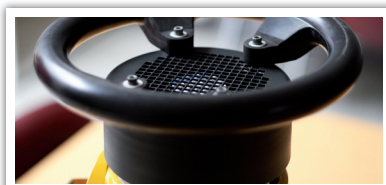
MOST COMMON APPLICATIONS

- Oil & Gas
- Shipyard building & Building sites
- Petrochemical & Power plants
- Tanks, reservoirs & pressure vessels
- Inspection companies & training centers
- Conventional films or CR applications

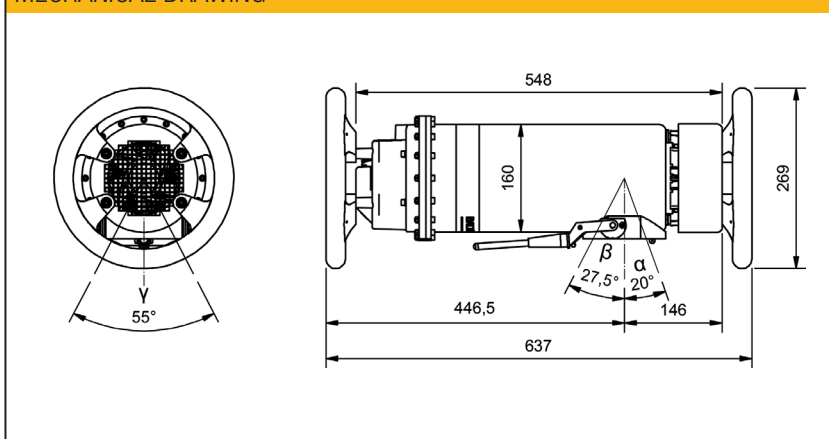


A number one hit for years, the GFD165 is the smallest unit of the GF series to date.

With a maximum of 160 kV and 5 mA, the GFD165 is a compact gas insulated unit designed for applications where size and weight matter. The GFD165 is the ideal machine for field applications where the unit needs to be frequently moved or inserted in tiny spaces. With regards to its 5mA and pulsed wave technology, the unit can penetrate medium to very thin materials, metallic or composites. It will easily surpass the poor contrast of Isotopes and will be a very good replacement in lower thickness ranges where Isotopes are generally not allowed.



MECHANICAL DRAWING



This unit uses the same driving electronic and technologies as the CERAM but is equipped with the standard well proven glass tube of Balteau NDT.

INTERNATIONAL

- CE certified
- NFC74-100 LCIE Certified

Specifications	Units	GFD165
High voltage range:	kV	50 - 160
Tube current range:	mA	1 - 5
Maximum anode power dissipation:	Watt	800
Beam angle:		55°
Focal spot size (IEC336):	mm	1,5 x 1,5
Steel penetration at max (*):	mm	17
Max recommended temp.:	°C	50°
Temperature switch:	°C	70°
Inherent filtration:	mm	6 Al
Anode cooling type:		Air
Duty cycle:	%	100**
Mains:	V	180 - 260
Weight (without rings):	Kg	12
Tubehead:		Glass
Control unit:		CF2000 or Hand-X

* FFD= 700mm/Film Carestream Industrex AA400/D=2.0/t=10min.

**At a temperature of 30°C reduced mA.

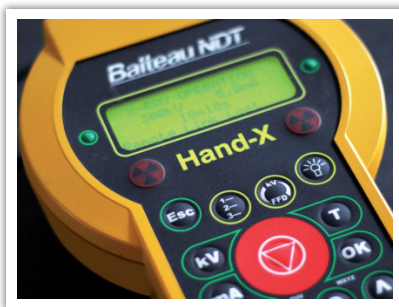


CF2000

- kV min step: **1**
- mA min step: **0,1**
- Time min step: **1 sec up to 99min 59sec**
- Memories: **100 last exposure/memories**
- Display: **4 lines, green back lighting**
- Mains: **170-260 V**
- Weight: **12,5kg**

STANDARD EQUIPMENT

- Internal pressure gauge
- Heavy duty lock type connector
- 20m connecting cable for control unit
- 10m power cable
- Heavy duty hand rings
- Bag for accessories
- Holder for centering device filter and diaphragm



Hand-X (Wireless remote control)

- kV min step: **1**
- mA min step: **0,1**
- Time min step: **1 sec up to 99min 59sec**
- Memories: **100 last exposure/memories**
- Display: **4 lines, green back lighting**
- Battery: **8h charge capacity**
- Weight: **900g**

OPTIONAL EQUIPMENT

- Lead shutter
- AVARAVP
- Warning flashing light & repeater
- Transport case
- Cradle
- Hydraulic stand
- 100-260 V adapter
- Laser centering rods

Produced by:

Balteau NDT

Rue Voie de Liège, 12
B-4681 Hermalle Sous Argenteau
Belgium

Distributed by:



7952 Nieman Road, Lenexa, KS 66214-1560 USA
Phone: 913-685-0675, Fax: 913-685-1125
www.ndtsupply.com, sales@ndtsupply.com