

BALTOSPOT GFC305



| | |
|---------------------------|-------------------------|
| High voltage range: | 140 to 300kV |
| Tube current range: | 1 to 5 mA |
| Beam angle: | 360° x 40° |
| Inherent Filtration (mm): | 6 Al + 1.2Cu |
| Anode cooling type: | Air |
| Duty cycle: | 100%** |
| Insulation: | SF6 gas |
| Mains: | 180 - 260V |
| Temp. switch: | 70°C |
| Weight (without rings): | 35 kg |
| Tubehead: | Glass |
| Control Unit: | CF2000 or Hand-X |

MAIN FEATURES

- High frequency
- Air cooled
- Unique energy recovery module
- Rugged and light control unit
- Safety first, x-ray start with 2 buttons
- Full automatic preheating
- Cables with reduced size and weight
- Panoramic beam
- Factory set beam homogeneity
- Serial link through RS232



Canon mil. metallic connector

KEY ADVANTAGES

- High stability output dose
- Can be delivered with our 900g Hand-X including a Geiger-Müller detector
- Low power consumption
- Unmatched safety
- Very reliable
- Long term stable density
- Ergonomic guard rings
- CANON mil. metallic connectors

MOST COMMON APPLICATIONS

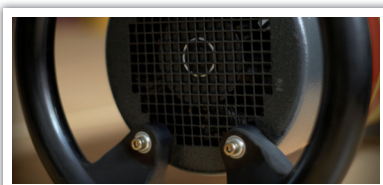
- Oil & Gas
- Shipyard building & Building sites
- Petrochemical & Power plants
- Tanks, reservoirs & pressure vessels
- Inspection companies & training centers
- Conventional films or CR applications



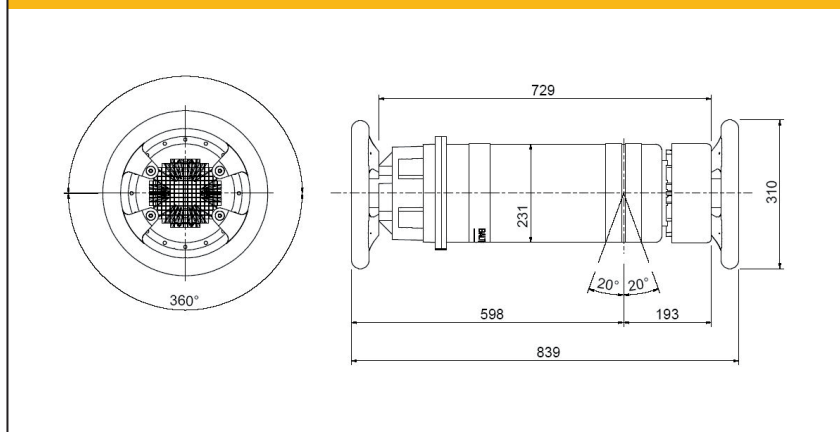
The GFC305 is a panoramic portable unit derived from our well known Crawler series but designed to be operated on field without mechanical carriage. This unit has then naturally inherited the reliability of the crawler technology of Balteau NDT.

The GFC305 can deliver up to 300 kV and 5 mA and can be classified in the range of high power units available at Balteau NDT.

It will easily surpass the poor contrast of Isotopes and will be a very interesting replacement in medium thickness ranges where Isotopes are generally not performing well.



MECHANICAL DRAWING



In combination with a GFD (Directional) or a CERAM, the GFC305 will allow you to perform all kind of exposures with a limited number of units.

INTERNATIONAL

- CE certified
- NFC74-100 LCIE Certified

| Specifications | Units | GFC305 |
|----------------------------------|-------|------------------|
| High voltage range: | kV | 140 - 300 |
| Tube current range: | mA | 1 - 5 |
| Maximum anode power dissipation: | Watt | 1500 |
| Beam angle: | | 360° x 40° |
| Focal spot size (IEC336): | mm | 05 x 1,3 |
| Steel penetration at max (*): | mm | 49 |
| Max recommended temp.: | °C | 50° |
| Temperature switch: | °C | 70° |
| Inherent filtration: | mm | 6 Al + 1,2 Cu |
| Anode cooling type: | | Air |
| Duty cycle: | % | 100** |
| Mains: | V | 180 - 260 |
| Weight (without rings): | Kg | 35 |
| Tubehead: | | Glass |
| Control unit: | | CF2000 or Hand-X |

* FFD= 700mm/Film Carestream Industrex AA400/D=2.0/t=10min.

**At a temperature of 30°C reduced mA.



CF2000

- kV min step: **1**
- mA min step: **0,1**
- Time min step: **1 sec up to 99min 59sec**
- Memories: **100 last exposure/memories**
- Display: **4 lines, green back lighting**
- Mains: **170-260 V**
- Weight: **12,5kg**

STANDARD EQUIPMENT

- Internal pressure gauge
- Heavy duty lock type connector
- 20m connecting cable for control unit
- 10m power cable
- Heavy duty hand rings
- Bag for accessories



Hand-X (Wireless remote control)

- kV min step: **1**
- mA min step: **0,1**
- Time min step: **1 sec up to 99min 59sec**
- Memories: **100 last exposure/memories**
- Display: **4 lines, green back lighting**
- Battery: **8h charge capacity**
- Weight: **900g**

OPTIONAL EQUIPMENT

- AVARA/P
- Warning flashing light & repeater
- Transport case
- Cradle
- Hydraulic stand
- 100-260 V adapter
- Ring lead screen allowing directional shot
- Telescopic centering rods

Produced by:

Balteau NDT

Rue Voie de Liège, 12
B-4681 Hermalle Sous Argenteau
Belgium

Distributed by:



7952 Nieman Road, Lenexa, KS 66214-1560 USA
Phone: 913-685-0675, Fax: 913-685-1125
www.ndtsupply.com, sales@ndtsupply.com