

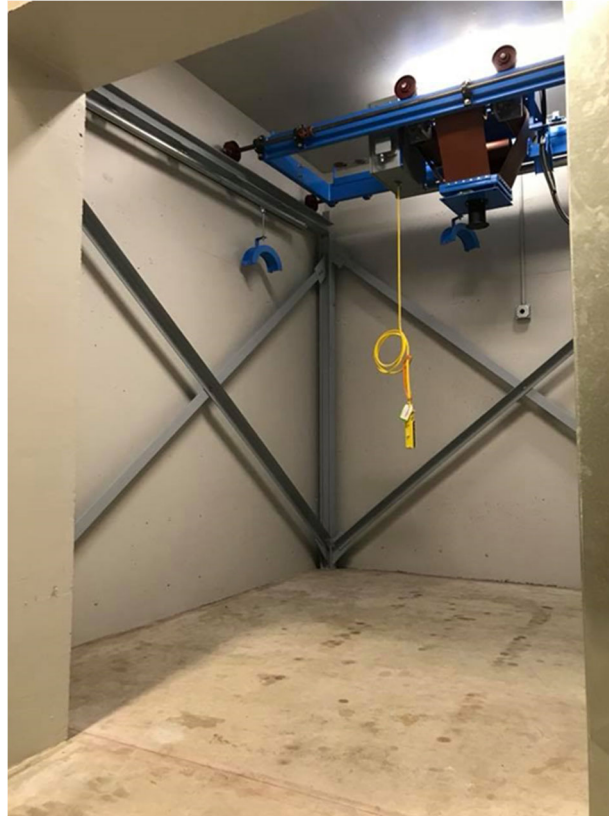
# NDT Supply.com, Inc.

7952 Nieman Road  
Lenexa, KS 66214-1560 USA



## A-FAB GANTRY MANIPULATORS

**Free Standing**



Phone: 913-685-0675  
Fax: 913-685-1125

[sales@ndtsupply.com](mailto:sales@ndtsupply.com)  
[www.ndtsupply.com](http://www.ndtsupply.com)

# NDT Supply.com, Inc.

7952 Nieman Road  
Lenexa, KS 66214-1560 USA



## A-FAB GANTRY MANIPULATORS

### Wall Mount



Phone: 913-685-0675  
Fax: 913-685-1125

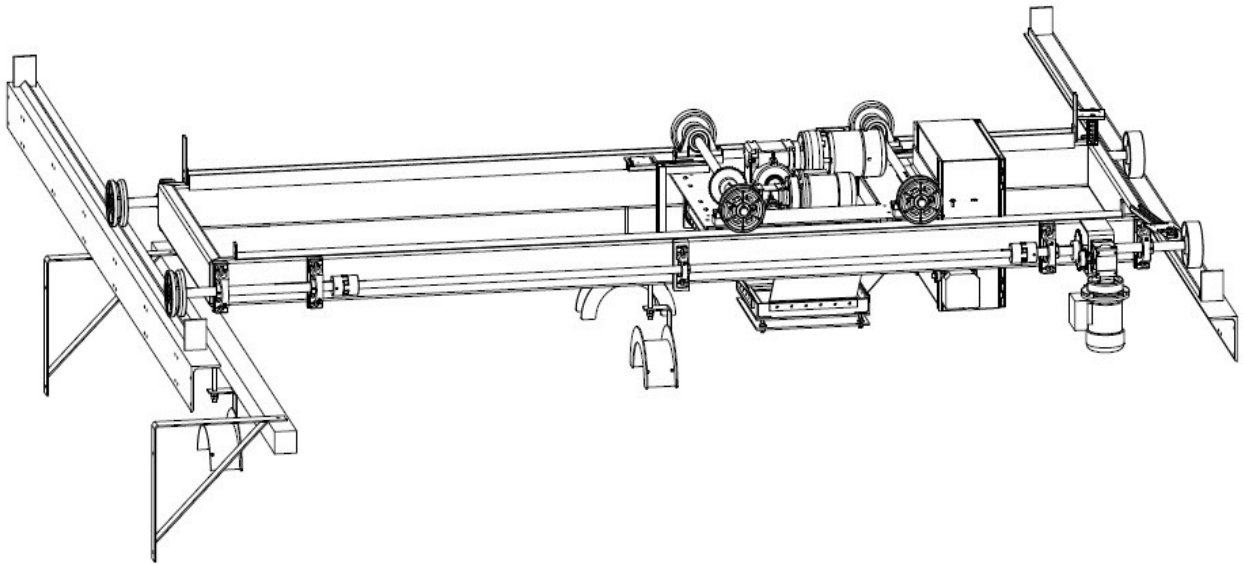
[sales@ndtsupply.com](mailto:sales@ndtsupply.com)  
[www.ndtsupply.com](http://www.ndtsupply.com)



Phone: 813.677.8790  
Fax: 813.671.1865 Toll  
Free: 800.330.5323  
P.O. Box 2097  
Gibsonton, FL 33534

---

## OVERHEAD GANTRY SYSTEM



- 3-AXIS MOTORIZED OVERHEAD "BELT STYLE" GANTRY SYSTEM
- CONTROL PENDANT FOR OPERATION IN ALL AXIS
- CABLE FESTOON SYSTEM FOR X-RAY SYSTEM CABLES
- APPROXIMATE TRAVELS (TBD)
- FFD FROM FLOOR TO MIDDLE OF TUBE (TBD)
- MOUNT PLATE TO SUPPORT TUBE YOKE
- WALL MOUNT OR FREE STANDING WITH BEAM & COLUMNS
- POWER REQUIREMENTS: 240VAC SINGE PHASE



7952 Nieman Road, Lenexa, KS 66214-1560 USA  
Phone: 913-685-0675, Fax: 913-685-0675  
[www.ndtsupply.com](http://www.ndtsupply.com), [sales@ndtsupply.com](mailto:sales@ndtsupply.com)

## Overhead Gantry (OHG) Questions

1. What size room is the OHG going in? Width:\_\_\_\_\_ Length:\_\_\_\_\_ Height:\_\_\_\_\_
2. Do you want the OHG to be free standing or wall mounted?
3. What make, model and kV x-ray tube are you using?
4. OHG system requires single phase 240vac.
5. What's the clear size of door opening? Width:\_\_\_\_\_ Height:\_\_\_\_\_
6. What is the desire FFD (minimum)?
7. What are the door opening sizes the OHG needs to pass through at ship location?
8. Can a forklift access inside the room where the OHG is going?
9. Do you want installation?
10. Where will the OHG be shipped to?
11. Can you supply a drawing/sketch of the room that the OHG is going in?

### NOTES:

OHG system requires single phase 240vac.

Company: \_\_\_\_\_

Contact: \_\_\_\_\_

E-Mail: \_\_\_\_\_

Phone: \_\_\_\_\_