

**BALTOSPOT LLX200-PA**



High voltage range:	<b>5 to 200kV</b>
Tube current range:	<b>0,5 to 12 mA</b>
Beam angle:	<b>360° x 40°</b>
Inherent Filtration (mm):	<b>0,8 Be</b>
Anode cooling type:	<b>Air</b>
Duty cycle:	<b>100%</b>
Insulation:	<b>SF6 gas</b>
Mains:	<b>180 - 260V</b>
Temp. switch:	<b>70°C</b>
Weight (without rings):	<b>18,1 kg</b>
Tubehead:	<b>Metal-Ceramic</b>
Control Unit:	<b>DC1 or Hand-XD</b>

**MAIN FEATURES**

- Extremely stable dose output
- Constant potential high frequency generator
- Current up to 12 mA
- Panoramic metal-ceramic tubehead
- Factory setted beam homogeneity
- Easy adaptation to crawler
- Energy recovery module
- Safety first, x-ray start with 2 buttons
- Serial link through RS232



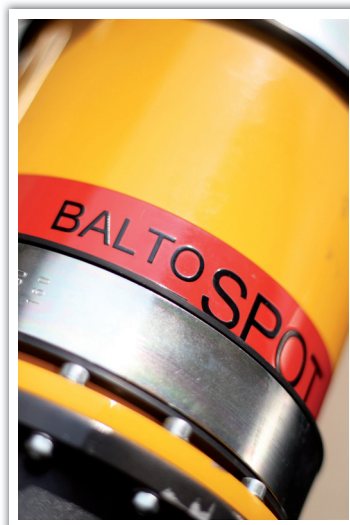
Panoramic tubehead

**KEY ADVANTAGES**

- Low weight
- Ergonomic rubber handle
- Extremely small head diameter
- Full automatic preheating process
- Low power requirement
- Cables with reduced size and weight
- Can be delivered with our 900g Hand-XD including a Geiger-Müller detector
- Works on power generator
- CANON mil. metallic connectors

**MOST COMMON APPLICATIONS**

- Shipyard building & Building sites
- Petrochemical & Power plants
- Tanks, reservoirs & pressure vessels
- Small enclosure x-ray
- Aeronautics
- Oil & Gas
- Conventional films

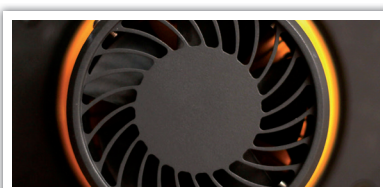


Completing its range of very lightweight and powerful portable X-ray generators, Balteau NDT is adding the panoramic version of its well known LLX Series.

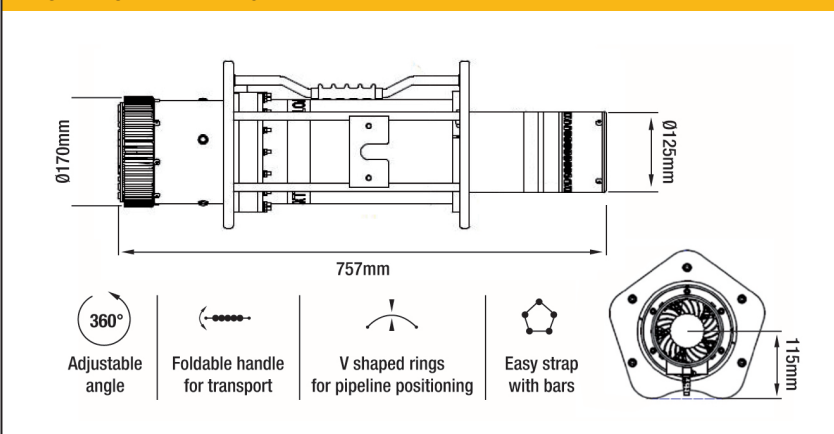
Air cooled and actively powerful with the smallest carbon footprint of its generation, LLX200-PA will satisfy your most complex applications and expectations.

Used in Aerospace business mostly, this compact unit can also be used in piping industry, Oil & Gas, tank, etc.

The innovative cradle will help you to not only transport this unit easily but also to adopt any position as required by your daily jobs.



**MECHANICAL DRAWING**



LLX is controlled by a full digital control unit (DC1) using the energy saving concept of the BALTOSPOT series and our well known Hand-X® wireless remote control that is also available for your best safety.

**INTERNATIONAL**

- CE certified
- NFC74-100 LCIE Certified

Specifications	Units	LLX200-PA-0
High voltage range:	kV	5 - 200
Tube current range:	mA	0,5 - 12
Maximum anode power dissipation:	Watt	600
Beam angle:		360° x 40°
Focal spot size (EN12543):	mm	0,4 x 4
Steel penetration at max (*):	mm	35
Max recommended temp.:	°C	50°
Temperature switch:	°C	70°
Inherent filtration:	mm	0,4 Fe/Ni/Co
Anode cooling type:		Air
Duty cycle:	%	100
Mains:	V	180 - 260
Weight (without rings):	Kg	18,1
Tubehead:		Metal-Ceramic
Control unit:		DC1 or Hand-XD

\* FFD= 700mm/Film Carestream Industrex AA400/D=2.0/t=10min.

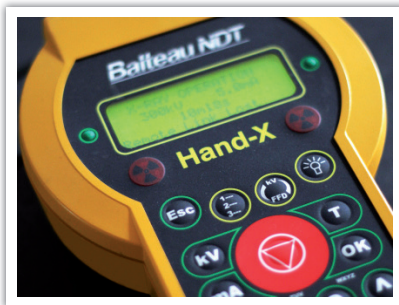


## DC1

- KV min step: **1**
- mA min step: **0,1**
- Time min step: **1 sec up to 99min 59sec**
- Memories: **100 last exposure/memories**
- Display: **4 lines, green back lighting**
- Mains: **170-260 V**
- Weight: **9,2kg**

### STANDARD EQUIPMENT

- Internal pressure gauge
- Heavy duty lock type connector
- 20m connecting cable for control unit
- 10m power cable
- Cradle with heavy duty hand rings
- Holder for centering device filter & diaphragm
- Bag for accessories



## Hand-XD (Wireless remote control)

- KV min step: **1**
- mA min step: **0,1**
- Time min step: **1 sec up to 99min 59sec**
- Memories: **100 last exposure/memories**
- Display: **4 lines, green back lighting**
- Battery: **8h charge capacity**
- Weight: **900g**

### OPTIONAL EQUIPMENT

- Lead shutter
- AVARA/P
- Warning flashing light & repeater
- Transport case
- 4 legs adjustable stand
- Hydraulic stand
- 100-260 V adapter
- RS232 link

### Produced by:

**Balteau NDT**  
Rue Voie de Liège, 12  
B-4681 Hermalle Sous Argenteau  
Belgium

### Distributed by:



7952 Nieman Road, Lenexa, KS 66214-1560 USA  
Phone: 913-685-0675, Fax: 913-685-1125  
[www.ndtsupply.com](http://www.ndtsupply.com), [sales@ndtsupply.com](mailto:sales@ndtsupply.com)