

The Clark CPT Series portable testers offer a reliable solution for “Rockwell” testing in areas where clearance is limited, allowing for testing both inside and outside surfaces at any angle. Quick change indenter, easy to read dial indicators, and finger tip loading make the CPT a handy and efficient tool for testing large or difficult to access parts.

Special Features

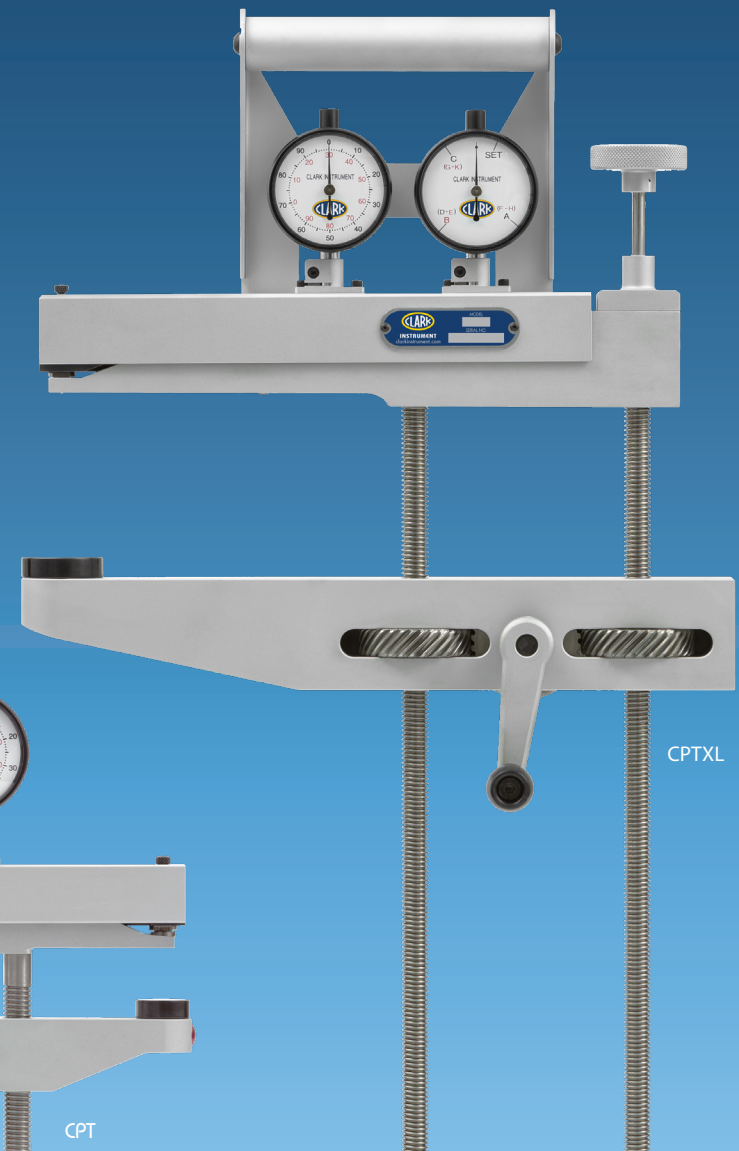
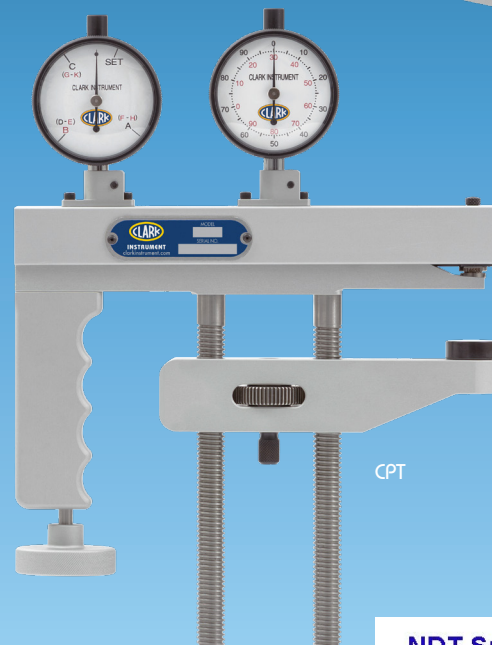
- Accurate “Rockwell” scales, A,B,C,D,E,F,G,H and K readings
- Quick-change indenter
- Durable design withstands harsh environments
- Light weight mobility
- Conforms to tolerances per ASTM & ISO 17025 Standards
- Certified and ready to use

MODEL	CPT	CPTXL
MINOR LOAD	10 kgf	
TEST LOADS	60, 100, 150 kgf	
SCALES	A, B, C, D, E, F, G, H, K	
ACCURACY	Conforms to tolerances per ASTM E-110 as outlined in E-18	
VERTICAL CAPACITY	4.5" (114.3mm)	12" (305mm)
THROAT DEPTH	2.25" (57.1mm)	6" (152.4mm)
WEIGHT	4 Lbs (1.81 kg)	15 Lbs. (7 kg)

STANDARD ACCESSORIES

Hardness Standard	1	1
1/16" Carbide Ball Indenter	1	1
Flat Anvil	1	1
V-Anvil	1	1
Convex Anvil	1	1
Manuals, Conversion Chart, Carrying Case	1 ea.	1 ea.

Appearance and specifications are subject to change without prior notice.



NDT Supply.com, Inc.
7952 Nieman Road
Lenexa, KS 66214-1560 USA

Phone: 913-685-0675, Fax: 913-685-1125
e-mail: sales@ndtsupply.com, www.ndtsupply.com

