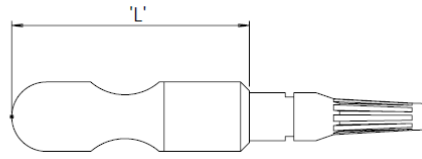
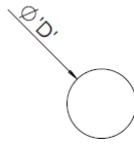
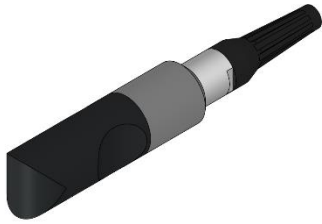


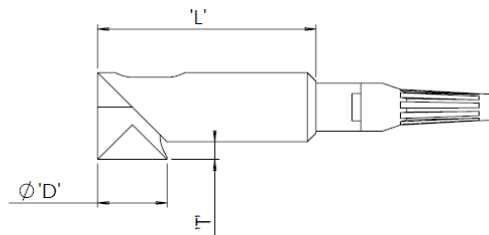
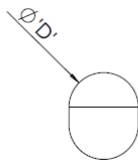
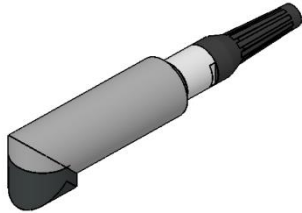
Standard Weld Probes - Bridge

Straight

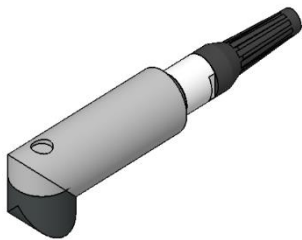


Type	'D' = Dia (mm)	'L' = Length (mm)
Small	11	47.5
Medium	16	55
Large	32	76.5

90deg Inline



90deg Transverse



Type	'D' = Dia (mm)	'L' = Length (mm)	'T' = Tip Drop
Small	11	36.5	10.3
Medium	16	50	4.1
Large	32	128	21.1

Application:

Differential Weld probes - for in-service inspection of welded structures.

Specification:

- Straight, 90deg Inline, 90deg Right Angle
- Diameters, 11.0 (Small), 16 (Medium), 32mm (Large)
- Disconnectable and integral probe cables
- Cable lengths from 1.5 to 50meters
- Frequency range 100kHz, 20kHz, 100-600kHz
- Minimal lift off signal, can find cracks though paint, oil and conductive and non-conductive coatings
- Made from hard wearing PET
- Stainless steel and ceramic tips available on request

Notes:

100kHz probes used on standard ferrous welds

100-600kHz probe can be used on Aluminium and Stainless Steel welds

20kHz probe can be used on multi-surface applications and Duplex

NDT Supply.com, Inc.

7952 Nieman Road
Lenexa, KS 66214-1560 USA

Phone: 913-685-0675, Fax: 913-685-1125
e-mail: sales@ndtsupply.com, www.ndtsupply.com



Standard Weld Probe Coding System

PWS100S015L12

PW	Probe Weld (Plastic)
S	Dia 11.0mm (Small)
M	Dia 16.0mm (Medium)
L	Dia 32.0mm (Large)
100	100kHz (Standard)
020	20kHz Enhanced
106	100-600kHz Multi-surface (Aluminium and Stainless Steel welds)
S	Straight
I	90 deg Inline
R	90 deg Transverse
000	Disconnect (See page 41)
015	1.5m Cable
050	5.0m Cable
100	10.0m Cable
500	50.0m Cable
1000	1000.0m Cable
L7	7 Way Lemo – Hocking Locator
L12	12 Way Lemo – WeldCheck/AeroCheck/Vantage G2, ETi-200, ETi-300
J6	6 Way Jaeger – Hocking QuickCheck, 1.1
A4	4-way Amphenol – Zetec
C3	3-way Cannon -
L14	14 Way Lemo - Vantage G1
W	Water Proof (see page 42)
C	Ceramic (High Temp) (see page 43)
S	Stainless Steel Tip (see page 43)

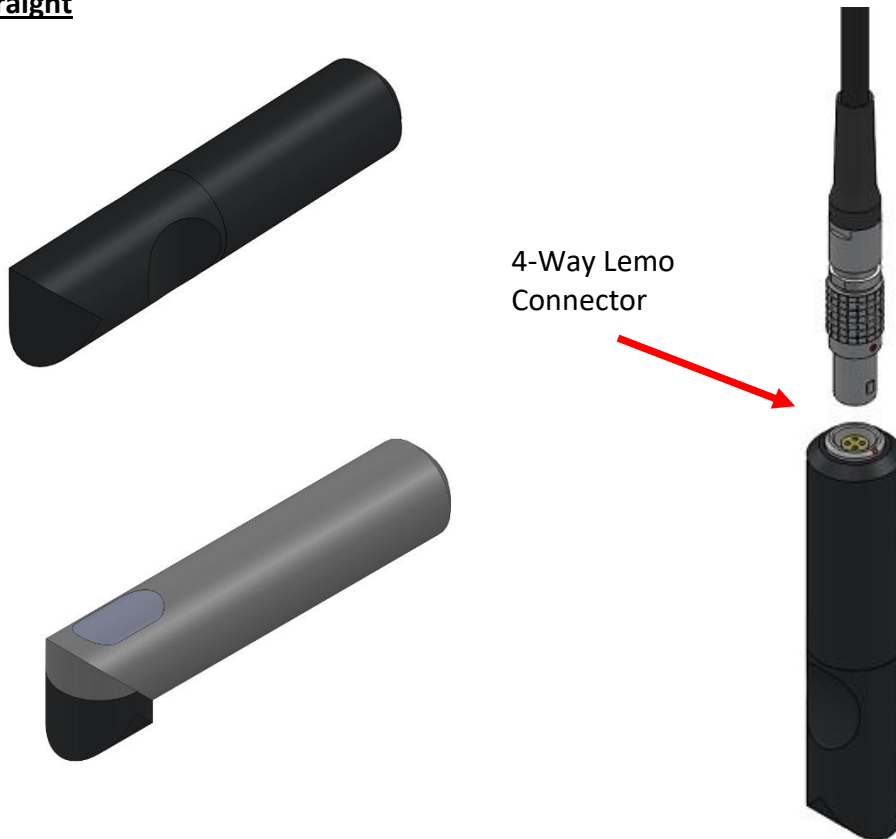
Example: PWS100S015L12

Probe, Weld, Dia. 11.0mm (Small), 100kHz, Straight, 1.5m Cable, Lemo 12-Way.

Other options available on request.

Disconnect Weld Probes - Bridge

Straight



Notes:

- A full range of disconnectable weld probes available for quick interchange.
- Simply select “000” to probe part number as shown on weld probe coding system on previous page.

Example Probe Coding:

ETHer NDE Part No.	Description	Frequency	Configuration
Probe, Unshielded, Broad Band			
PWS100S000	Probe, Weld, Small (11.00mm), Straight, Disconnect	100kHz (60kHz - 2.5MHz)	Bridge – Lemo 4-Way
PWM100S000	Probe, Weld, Medium (16.00mm), Straight, Disconnect	100kHz (60kHz - 1.2MHz)	Bridge – Lemo 4-Way
PWL100S000	Probe, Weld, Large (32.00mm), Straight, Disconnect	100kHz (60kHz- 700kHz)	Bridge – Lemo 4-Way

Leads to fit above probes:

ETHer NDE Part No.	Description	Instrument	Connector Instrument End	Connector Probe End	Cable Length	Configuration
ALFTRI-L04-015	Lead	Victor/Veritor	Fischer Triax	Lemo 4-Way Plug	1.5m	Bridge
ALL12-L04-015B	Lead	WeldCheck/ AeroCheck/ Vantage/ETI/ Hocking	Lemo 12-Way	Lemo 4-Way Plug	1.5m	Bridge
ALL07-L04-015B	Lead	Hocking	Lemo 7-Way	Lemo 4-Way Plug	1.5m	Bridge

Under Water Weld Probes - Bridge



Application:

- Under water In-service inspection of welded structures, max length 100 metres.

Probe Coding:

ETHer NDE Part No.	Description	Frequency	Type
PWM100S500L12W	Probe, Weld, Medium, Dia 16.00, 100kHz, Straight, 50m Cable, Lemo 12-Way, Water Proof	100kHz	Bridge
PWM100S500J6W	Probe, Weld, Medium, Dia 16.00, 100kHz, Straight, 50m Cable, Jaeger 6-Way, Water Proof	100kHz	Bridge
PWL100S500L12W	Probe, Weld, Large, Dia 32.00, 100kHz, Straight, 50m Cable, Lemo 12-Way, Water Proof	100kHz	Bridge
PWL100S500J6W	Probe, Weld, Large, Dia 32.00, 100kHz, Straight, 50m Cable, Jaeger 6-Way, Water Proof	100kHz	Bridge
PWM100S1000L12W	Probe, Weld, Medium, Dia 16.00, 100kHz, Straight, 100m Cable, Lemo 12-Way, Water Proof	100kHz	Bridge
PWM100S1000J6W	Probe, Weld, Medium, Dia 16.00, 100kHz, Straight, 100m Cable, Jaeger 6-Way, Water Proof	100kHz	Bridge
PWL100S1000L12W	Probe, Weld, Large, Dia 32.00, 100kHz, Straight, 100m Cable, Lemo 12-Way, Water Proof	100kHz	Bridge
PWL100S1000J6W	Probe, Weld, Large, Dia 32.00, 100kHz, Straight, 100m Cable, Jaeger 6-Way, Water Proof	100kHz	Bridge

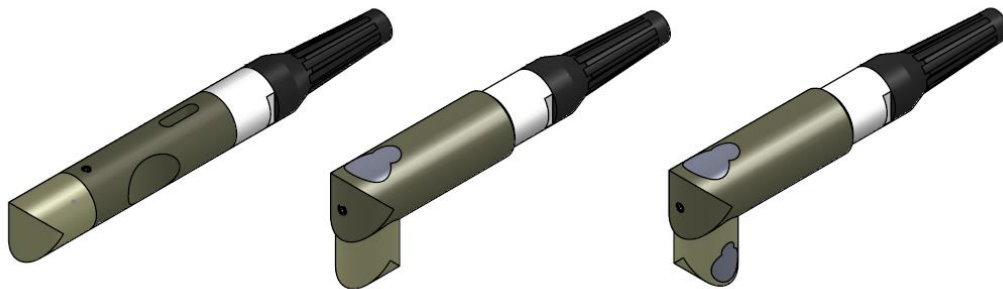
Other options available on request.

High Temp Ceramic Tipped Weld Probes - Bridge

Straight

90deg Inline

90deg Transverse



Application:

- In-service inspection of welded structures, works to a touch temperature of 200degC.
- Simply add a "C" to the end of a standard probe part number as shown on page 34.

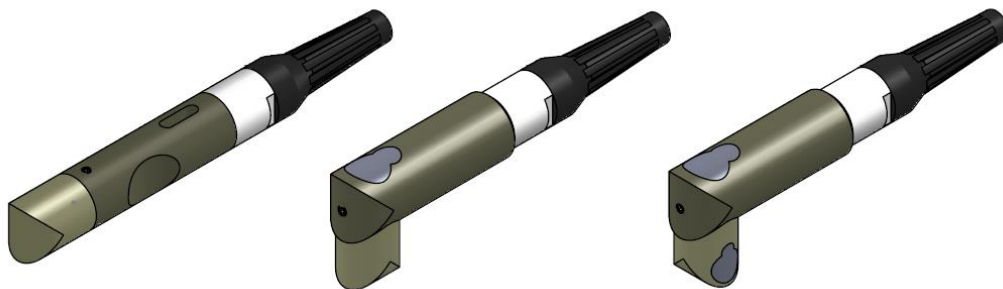
Example: PWS100S015L12C
Part Number: Probe, Weld, Dia. 11.0mm (Small), 100kHz, Straight,
1.5m Cable, Lemo 12-Way, Ceramic Tip, (High Temp)

Stainless Steel Tipped Weld Probes - Bridge

Straight

90deg Inline

90deg Transverse



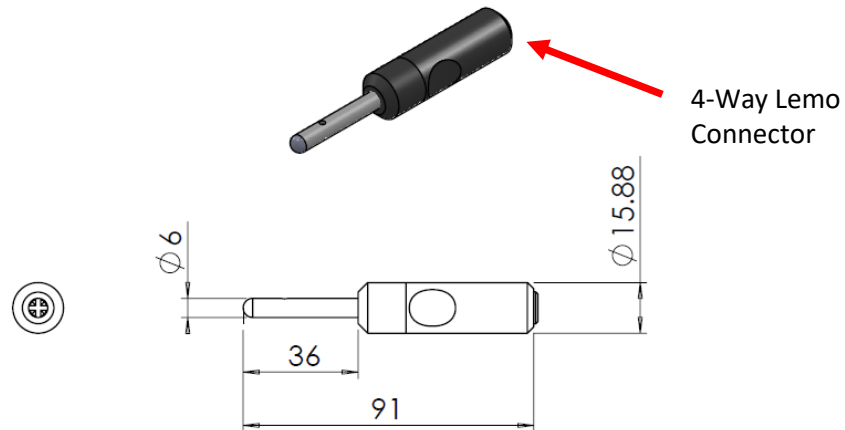
Application:

- In-service inspection of welded structures, with high wear resistance.
- Simply add a "S" to the end of a standard probe part number as shown on page 34, also available in disconnect options.

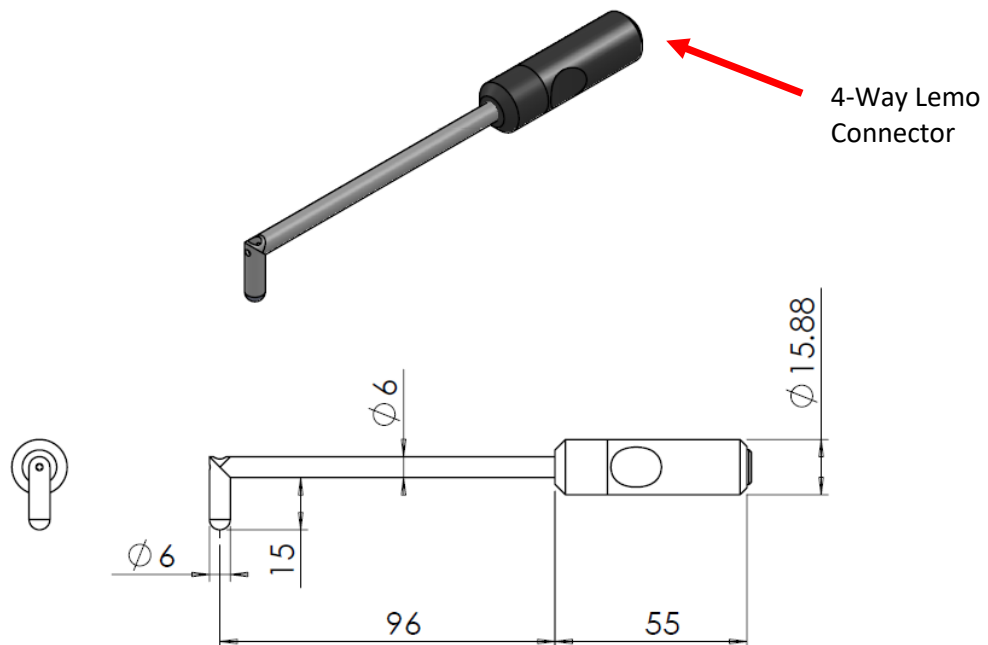
Example: PWS100S015L12S
Part Number: Probe, Weld, Dia. 11.0mm (Small), 100kHz, Straight,
1.5m Cable, Lemo 12-Way, St Steel Tip

Miniature Weld Probes - Bridge

Straight – PW002



90deg Inline – PW001



Application:

- In-service inspection of welded structures, 100kHz, for those hard to reach/confined space inspection areas.

Leads to fit above probes:

ETHer NDE Part No.	Description	Instrument	Connector Instrument End	Connector Probe End	Cable Length	Configuration
ALFTRI-L04-015	Lead	Victor/Veritor	Fischer Triax	Lemo 4-Way Plug	1.5m	Bridge
ALL12-L04-015B	Lead	WeldCheck/ AeroCheck/ Vantage/ETi/ Hocking	Lemo 12-Way	Lemo 4-Way Plug	1.5m	Bridge
ALL07-L04-015B	Lead	Hocking	Lemo 7-Way	Lemo 4-Way Plug	1.5m	Bridge

Weld Probe Kits



Weld Probe Standard Kit to fit WeldCheck/AeroCheck Range:

ETHer NDE Part No.	Description
Kit Part Number: KAWEL001	
Includes:	
PWM100S00	Probe, Weld, Dia 16.00mm (Medium) 100kHz, Straight, Disconnect
PUB100k	Probe, Unshielded, Broad Band, 100k (35kHz-250kHz), BNC
ATBW	Accessory, Test Block, Weld Probe, Ferrous (Steel EN1A) + 4 x 0.5mm Shims, 0.5, 1.0, 2.0mm slots
ALL12-L04-015B	Accessory, Lead, Lemo 12-Way - Lemo 4-Way, 1.5m (Bridge)
ALLCX-B02-015A	Accessory, Lead. Lemo 00 to BNC, 1.5m (Vantage)
AW003	Accessory, Butterfly PTFE Tape (Pack of 30)
AC002	Accessory, Deluxe Probe Case PHDC1



Weld Probe Advanced Kit to fit WeldCheck/AeroCheck Range:

ETHer NDE Part No.	Description
Kit Part Number: KAWEL002	
Includes:	
PWS100S000	Probe, Weld, Dia 11.00mm (Small) 100kHz, Straight, Disconnect
PWM100M000	Probe, Weld, Dia 16.00mm (Medium) 100kHz, Straight, Disconnect
PUB100k	Probe, Unshielded, Broad Band, 100k (35kHz-250kHz), BNC
ATB016	Test Block WeldCheck Demo Crack Specimen - Plate with two cracks, Type A and C - Toe and Cap Plates are 5" x5", 1/4" thick with false ground crown. Standard crack size 1/4" Long x 0.040" deep.
ATBW	Accessory, Test Block, Weld Probe, Ferrous (Steel EN1A) + 4 x 0.5mm Shims, 0.5, 1.0, 2.0mm slots
ALL12-L04-015B	Accessory, Lead, Lemo 12-Way - Lemo 4-Way, 1.5m (Bridge)
ALLCX-B02-015A	Accessory, Lead. Lemo 00 to BNC, 1.5m
AW003	Accessory, Butterfly PTFE Tape (Pack of 30)
AC007	Accessory, Hard Peli 1120 Carry Case

NDT Supply.com, Inc.
 7952 Nieman Road
 Lenexa, KS 66214-1560 USA
 Phone: 913-685-0675, Fax: 913-685-1125
 e-mail: sales@ndtsupply.com, www.ndtsupply.com

