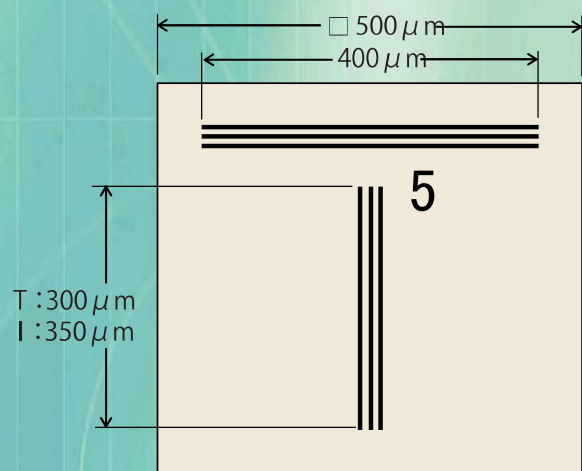
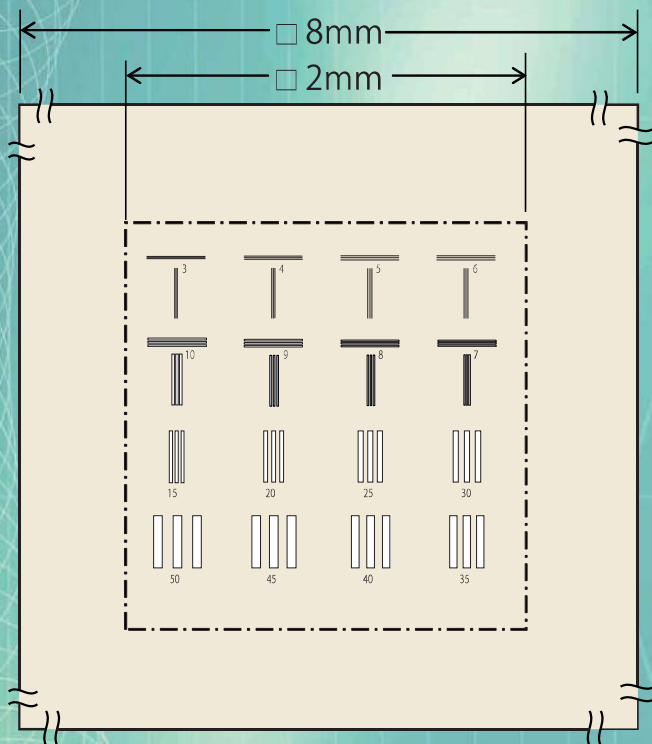


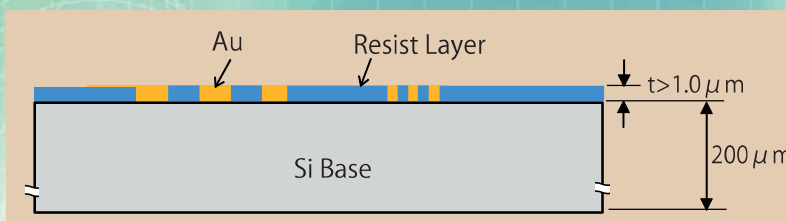
The most advanced Micro-technology realized precise Line & Space Microchart test piece with 16 different width (3 to 50 μm). Nowadays Microfocus X-Ray becomes major beamsize, this is necessary item to adjust, setup, check and maintain your X-Ray system.

Microchart Pattern Line & Space / Line Width : 3 to 50 μm , 16 size



- 16 sets of L&S layout in 2x2 mm on 8x8 mm Si base as left
- Above drawing is image for size 5 μm L&S
- Number of Au Slit is 3 lines and 2 spaces.
- Width 3 to 10 μm : T Shape layout
- Width 15 to 50 μm : I Shape layout L/S width:
- L/S width: 3, 4, 5, 6, 7, 8, 9, 10, 15, 20, 25, 30, 35, 40, 45, 50 μm

Chip Cross Section



16 Au charts are layouted on 8x8mm Si Chip.
Si chip is fixed on 40x30x3mm Aluminum Base. Surface is covered with protection film.

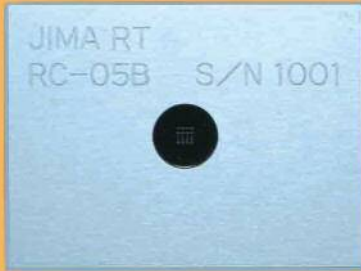
(一社) 日本検査機器工業会

Japan Inspection Instruments Manufacturers' Association

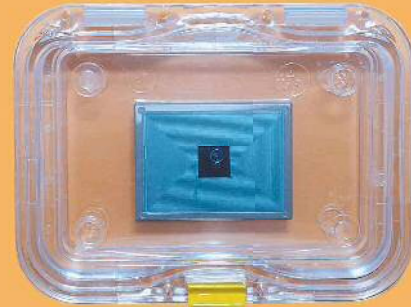
<https://www.jima.jp>



Outlook (Reversed side)



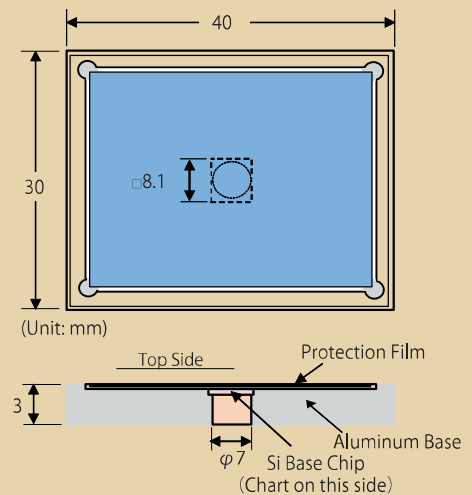
Plastic Case



Specification

| | |
|--|---|
| Outer Size | W 40 x D 30 x T 3 mm |
| Si Base Chip Size | 8 x 8 x 0.2 mm |
| Absorption Material | Au Line, Thickness $\geq 1.0 \mu\text{m}$ |
| Protection Film | Polyester Film, T 0.05mm |
| Line and Space Size, 2 patterns | 3, 4, 5, 6, 7, 8, 9, 10 μm (T Shape Layout) 15, 20, 25, 30, 35, 40, 45, 50 μm (I Shape only) |
| L/S Width Tolerance | $\pm 15\%$ (3, 4 μm) $\pm 10\%$ (5 μm and Wider) |
| Number of Line | Each 3 Line set |
| Operation Temperature | 10 $^{\circ}\text{C}$ ~ 70 $^{\circ}\text{C}$ |

Drawing (Top)



Specifications may be changed without notice. Please confirm all specification before order.

General Corporation

Japan Inspection Instruments Manufacturers Association