

**"A" NOTCH**  
 .030" X .030"  
 CORNER NOTCHES

**"D" NOTCHES**  
 .100" LONG SURFACE NOTCHES  
 ; .050, .020, .010, .005

**"C" NOTCHES**  
 .750" LONG SURFACE NOTCHES;  
 .050, .020, .010, .005

**"B" NOTCHES**  
 .030 X .030  
 CORNER NOTCHES

**"E" NOTCHES**  
 SEE NOTE SECTION

**"F" NOTCH**  
 .030" LONG SURFACE NOTCH

**"G" NOTCHES**  
 .250" LONG NOTCH, .020 DEEP

**.250 X .875 DOWEL PIN (X2)**

**1/4-28100° CS BOLTS (X2)**

**NOTES:**

E NOTCHES :RADIUS NOTCH TRAVERSING  
 .250 RADIUS X .050" DEEP

LONGITUDUAL RADIUS NOTCH ONE INCH LONG;  
 TAPERED FROM .100" DEEP AT THE EDGE TO .000"  
 AT INBOARD EDGE OF NOTCH



**PROPRIETARY AND CONFIDENTIAL**

	NAME	DATE
DRAWN	Alexander Nieto	6/20/2022
CHECKED		6/20/2022

TITLE: NRK-3AL

Material: 7075-T6 Aluminum

Equivalent Part #:

SHEET 1 OF 4

SEE OTHER SHEETS FOR MORE INFORMATION

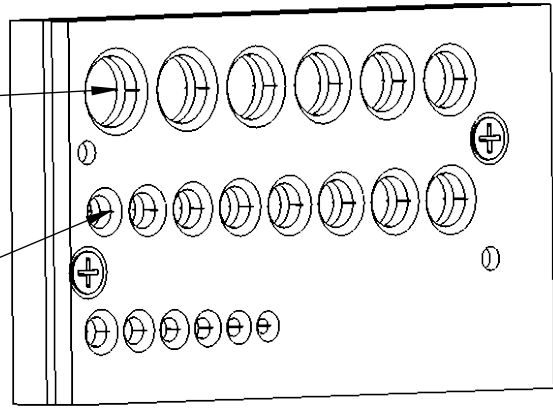
THE INFORMATION CONTAINED IN THIS DRAWING IS THE SOLE PROPERTY OF AEROFAB NDT. ANY REPRODUCTION IN PART OR AS A WHOLE WITHOUT THE WRITTEN PERMISSION OF AEROFAB NDT IS PROHIBITED.

**"B" NOTCHES**

.030" X .030 CORNER NOTCH ON  
BOTTOM SURFACE OF TOP PLATE

**"C" NOTCHES**

.250" LONG NOTCH, .020 DEEP  
IN COUNTERSUNK HOLES



X 20 COUNTER SUNK HOLES  
UNDER SIDE OF BOTTOM PLATE

**"A" NOTCHES**

.030 x .030 CORNER NOTCH IN  
EACH OF 20 HOLES ON TOP SURFACE PLATE

**"B" NOTCHES**

.030 x .030 CORNER NOTCH IN  
EACH OF 20 HOLES ON BOTTOM SURFACE PLATE

**"C" NOTCHES**

.750" LONG SURFACE NOTCHES;  
.050" , .020" , .010" , .005" DEEP

**"D" NOTCHES**

.100" LONG SURFACE NOTCHES;  
.050" , .020" , .010" , .005" DEEP

**"E" NOTCHES**

RADIUS NOTCH TRAVERSING  
.250 RADIUS X .050" DEEP

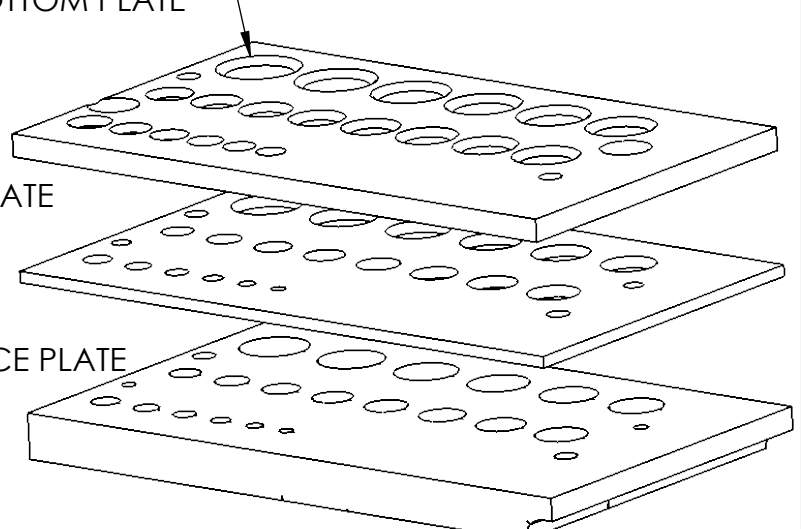
LONGITUDINAL RADIUS NOTCH ONE INCH LONG;  
TAPERED FROM .100" DEEP AT THE EDGE TO .000"  
AT INBOARD EDGE OF NOTCH

**"F" NOTCHES**

.030 " LONG SURFACE NOTCH, .010 DEEP

**"G" NOTCHES**

.250" LONG NOTCH, .020 DEEP IN 20 COUNTERSUNK HOLES



**HOLE SIZES:**

- 5/16 ; 9/32 ; 1/4 ; 7/32 ; 3/16 ; 5/32
- 11/32; 3/8 ; 13/32; 15/32 ; 7/16; 1/2 ; 17/32 ;
- 9/16; 3/4 ; 23/32 ; 11/16 ; 21/32 ; 5/8 ; 19/32

**COUNTERSINK HOLES**

COUNTER SUNK AT 100 ° .082" DEEP

**PROPRIETARY AND CONFIDENTIAL**

THE INFORMATION CONTAINED IN THIS  
DRAWING IS THE SOLE PROPERTY OF  
AEROFAB NDT . ANY REPRODUCTION IN PART  
OR AS A WHOLE WITHOUT THE WRITTEN  
PERMISSION OF AEROFAB NDT IS PROHIBITED.

	NAME	DATE
DRAWN	Alexander Nieto	6/20/2022
CHECKED		6/20/2022

UNLESS OTHERWISE SPECIFIED:

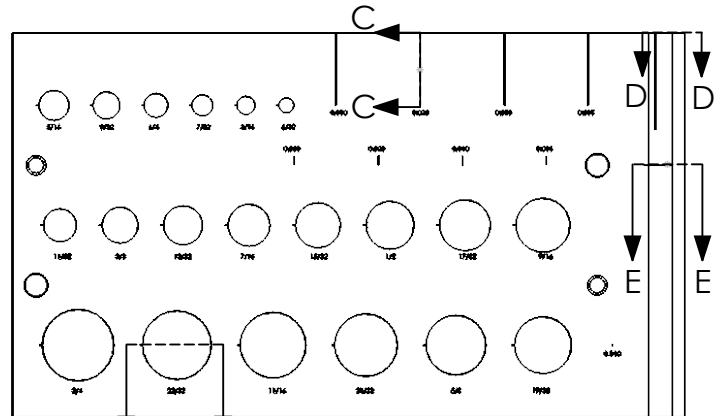
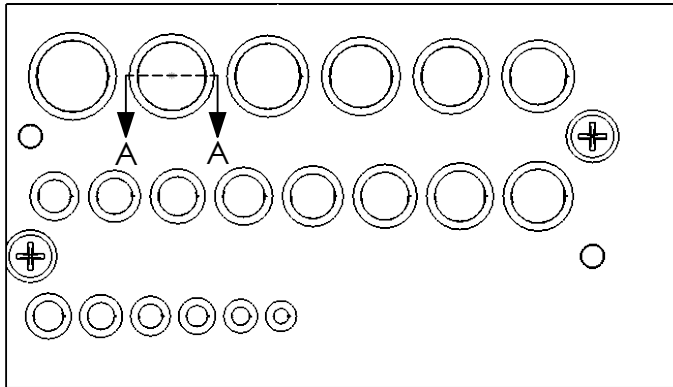


TITLE: NRK-3AL
Material: 7075-T6 Aluminum
Equivalent Part #:
SHEET 2 OF 4

# EDM NOTCHES

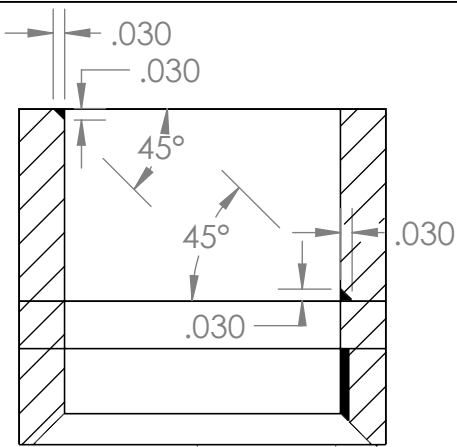
## BOTTOM VIEW

## TOP VIEW

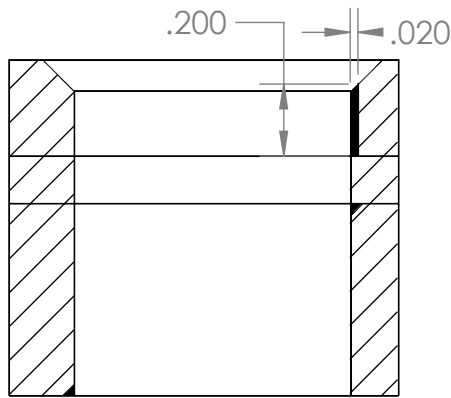


B

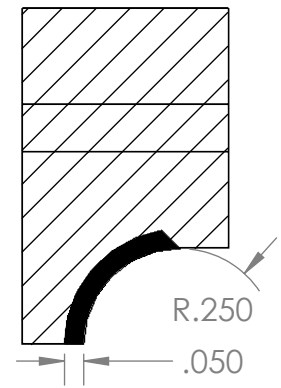
B



SECTION A-A  
SCALE 2 : 1



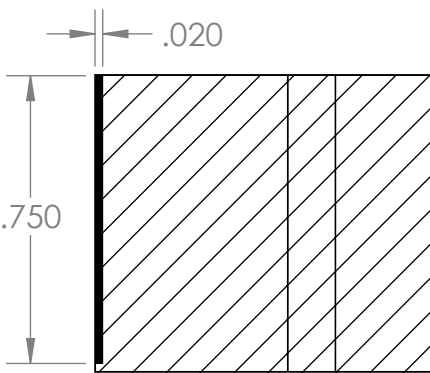
SECTION B-B  
SCALE 2 : 1



SECTION E-E  
SCALE 2 : 1

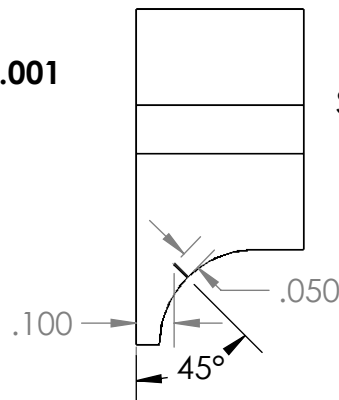
A

A



SECTION C-C  
SCALE 2 : 1

**ALL NOTCHES .004 +/- .001**



SECTION D-D  
SCALE 2 : 1

**PROPRIETARY AND CONFIDENTIAL**

THE INFORMATION CONTAINED IN THIS DRAWING IS THE SOLE PROPERTY OF AEROFAB NDT. ANY REPRODUCTION IN PART OR AS A WHOLE WITHOUT THE WRITTEN PERMISSION OF AEROFAB NDT IS PROHIBITED.

	NAME	DATE
DRAWN	Alexander Nieto	6/20/2022
CHECKED		6/20/2022

UNLESS OTHERWISE SPECIFIED:



TITLE: NRK-3AL

Material: 7075-T6 Aluminum

Equivalent Part #:

SHEET 3 OF 4



## NRK-3AL

### 20 HOLE STANDARD WITH 71 EDM NOTCHES

**(x20)** .030" x .030" (45°) CORNER NOTCHES ON TOP SIDE OF .500 THICK TOP PLATE

**(x20)** .030" x .030" (45°) CORNER NOTCHES ON BOTTOM SIDE OF .500 THICK TOPPLATE (OPPOSITE SIDE)

**(x20)** .250" LONG NOTCH .020 DEEP IN COUNTERSUNK HOLES ON BOTTOM PLATE

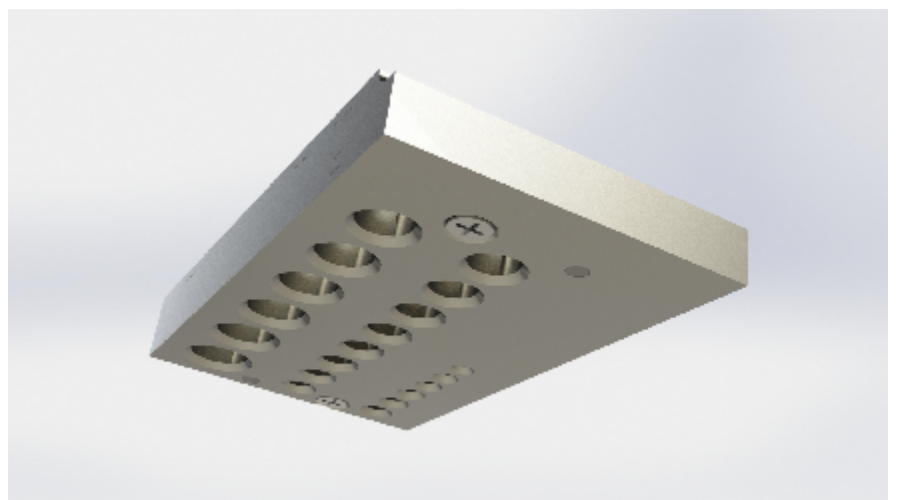
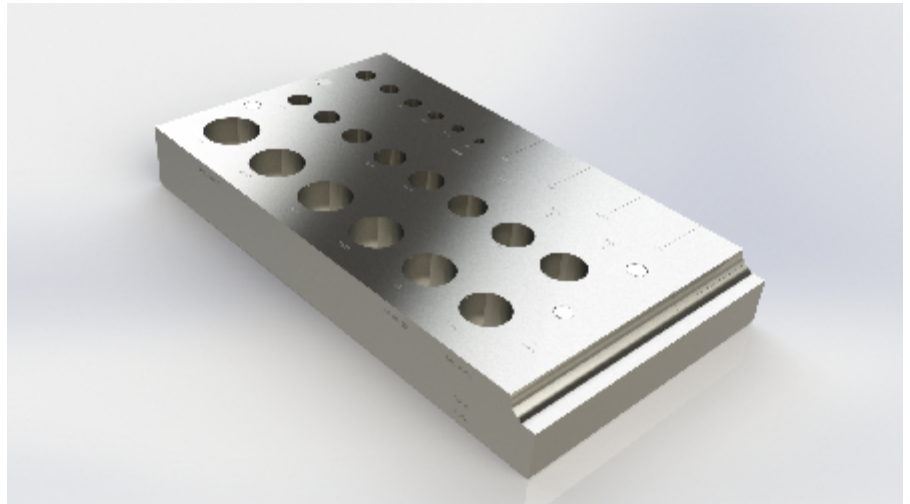
**(x4)** .750" LONG SURFACE NOTCHES AT DEPTHS ; .005" , .010" , .020" & .050" ON TOP PLATE

**(x4)** .100" LONG SURFACE NOTCHES AT DEPTHS ; .005" , .010" , .020" & .050" ON TOP PLATE

**(x1)** .030" LONG BY .010" DEEP SURFACE NOTCH ON TOP PLATE

**(x1)** .250 RADIUS NOTCH .050 DEEP

**(x1)** 1" LONG LONGITUDINAL RADIUS NOTCH TAPERED FROM .100" DEEP AT EDGE TO .000" AT INBOARD EDGE OF NOTCH



This 4"x 7" x .875" - 20 hole standard with 71 EDM notches.

Material is 7075-T6 Aluminum

Hole Sizes:

5/32 ; 3/16 ; 7/32 ; 1/4 ; 9/32 ; 5/16  
11/32 ; 3/8 ; 13/32 ; 15/32 ; 7/16 ; 1/2 ; 17/32 ; 9/16 ;  
19/32 ; 5/8 ; 21/32 ; 11/16 ; 23/32 ; 3/4

Countersunk holes on bottom plate at 100 .082 deep

All holes are certified : . +/- .005

All notches are certified : .004" +/- .001"

Unless otherwise specified all other tolerances are :

+/- .030



NDT Supply.com, Inc.  
7952 Nieman Road  
Lenexa, KS 66214-1560 USA  
Phone: (913)-685-0675  
Email: sales@ndtsupply.com