

"A" NOTCH
 .030" X .030"
 CORNER NOTCHES

"D" NOTCHES
 .100" LONG SURFACE NOTCHES
 ; .050, .020, .010, .005

"C" NOTCHES
 .750" LONG SURFACE NOTCHES;
 .050, .020, .010, .005

"B" NOTCHES
 .030 X .030
 CORNER NOTCHES

"E" NOTCHES
 SEE NOTE SECTION

"F" NOTCH
 .030" LONG SURFACE NOTCH

"G" NOTCHES
 .250" LONG NOTCH, .020 DEEP

.250 X .875 DOWEL PIN (X2)

1/4-28100° CS BOLTS (X2)

NOTES:

E NOTCHES :RADIUS NOTCH TRAVERSING
 .250 RADIUS X .050" DEEP

LONGITUDUAL RADIUS NOTCH ONE INCH LONG;
 TAPERED FROM .100" DEEP AT THE EDGE TO .000"
 AT INBOARD EDGE OF NOTCH



PROPRIETARY AND CONFIDENTIAL

	NAME	DATE
DRAWN	Alexander Nieto	6/20/2022
CHECKED		6/20/2022

TITLE: **NRK-3ST**

MATERIAL: 4340 STEEL

Equivalent Part #:

SHEET 1 OF 4

SEE OTHER SHEETS FOR MORE
 INFORMATION

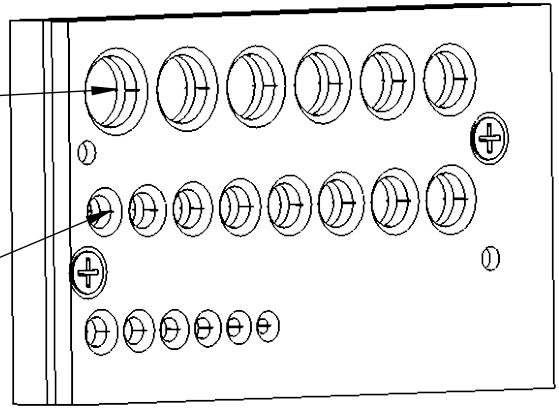
THE INFORMATION CONTAINED IN THIS
 DRAWING IS THE SOLE PROPERTY OF
 AEROFAB NDT . ANY REPRODUCTION IN PART
 OR AS A WHOLE WITHOUT THE WRITTEN
 PERMISSION OF AEROFAB NDT IS PROHIBITED.

"B" NOTCHES

.030" X .030 CORNER NOTCH ON
BOTTOM SURFACE OF TOP PLATE

"C" NOTCHES

.250" LONG NOTCH, .020 DEEP
IN COUNTERSUNK HOLES



X 20 COUNTER SUNK HOLES
UNDER SIDE OF BOTTOM PLATE

"A" NOTCHES

.030 x .030 CORNER NOTCH IN
EACH OF 20 HOLES ON TOP SURFACE PLATE

"B" NOTCHES

.030 x .030 CORNER NOTCH IN
EACH OF 20 HOLES ON BOTTOM SURFACE PLATE

"C" NOTCHES

.750" LONG SURFACE NOTCHES;
.050" , .020" , .010" , .005" DEEP

"D" NOTCHES

.100" LONG SURFACE NOTCHES;
.050" , .020" , .010" , .005" DEEP

"E" NOTCHES

RADIUS NOTCH TRAVERSING
.250 RADIUS X .050" DEEP

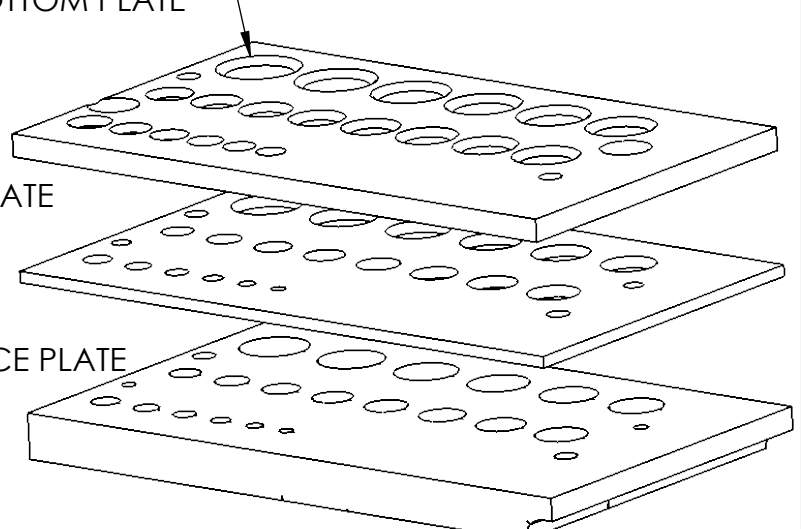
LONGITUDINAL RADIUS NOTCH ONE INCH LONG;
TAPERED FROM .100" DEEP AT THE EDGE TO .000"
AT INBOARD EDGE OF NOTCH

"F" NOTCHES

.030 " LONG SURFACE NOTCH, .010 DEEP

"G" NOTCHES

.250" LONG NOTCH, .020 DEEP IN 20 COUNTERSUNK HOLES



HOLE SIZES:

- 5/16 ; 9/32 ; 1/4 ; 7/32 ; 3/16 ; 5/32
- 11/32; 3/8 ; 13/32; 15/32 ; 7/16; 1/2 ; 17/32 ;
- 9/16; 3/4 ; 23/32 ; 11/16 ; 21/32 ; 5/8 ; 19/32

COUNTERSINK HOLES

COUNTER SUNK AT 100 ° .082" DEEP

PROPRIETARY AND CONFIDENTIAL

THE INFORMATION CONTAINED IN THIS
DRAWING IS THE SOLE PROPERTY OF
AEROFAB NDT . ANY REPRODUCTION IN PART
OR AS A WHOLE WITHOUT THE WRITTEN
PERMISSION OF AEROFAB NDT IS PROHIBITED.

	NAME	DATE
DRAWN	Alexander Nieto	6/20/2022
CHECKED		6/20/2022

UNLESS OTHERWISE SPECIFIED:



TITLE: **NRK-3ST**
MATERIAL: **4340 STEEL**

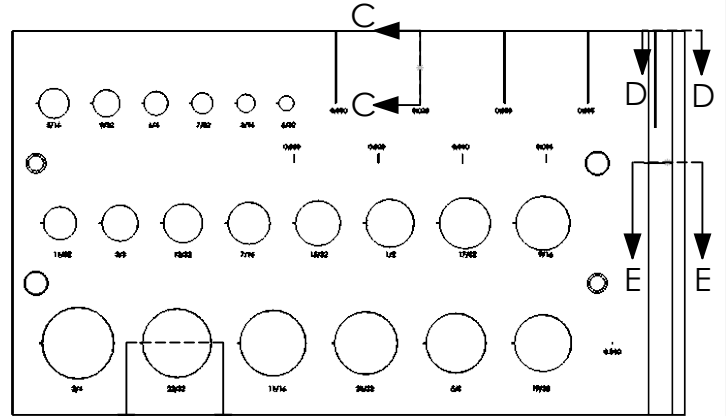
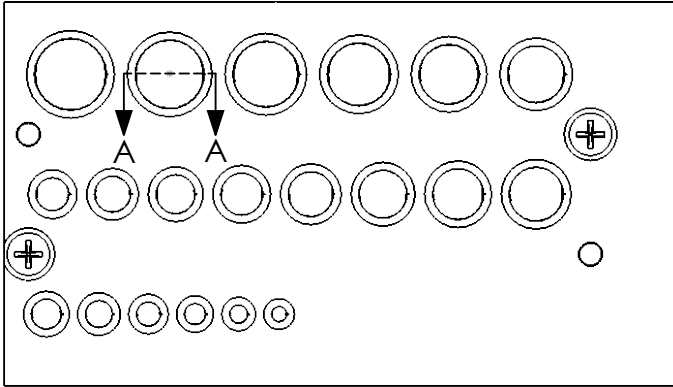
Equivalent Part #:

SHEET 2 OF 4

EDM NOTCHES

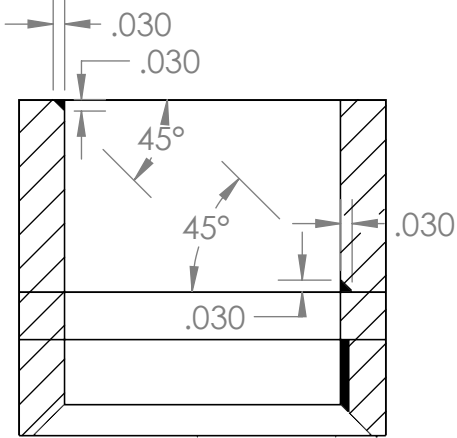
BOTTOM VIEW

TOP VIEW

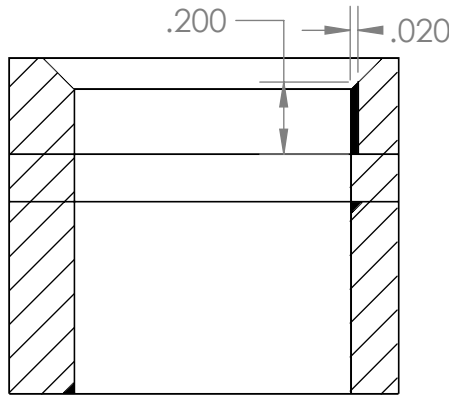


B

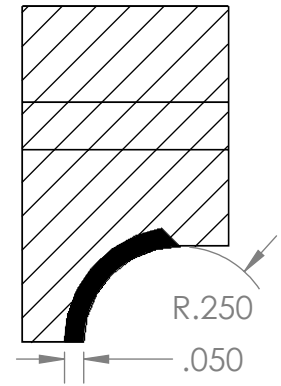
B



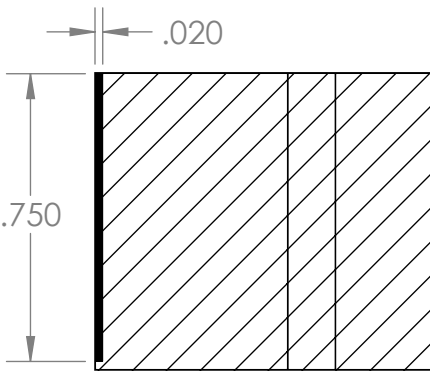
SECTION A-A
SCALE 2 : 1



SECTION B-B
SCALE 2 : 1

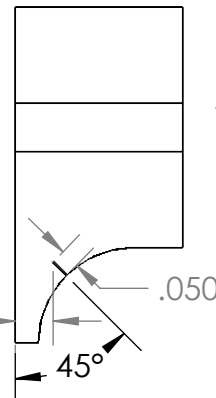


SECTION E-E
SCALE 2 : 1



SECTION C-C
SCALE 2 : 1

ALL NOTCHES .004 +/- .001



SECTION D-D
SCALE 2 : 1

A

A

PROPRIETARY AND CONFIDENTIAL

THE INFORMATION CONTAINED IN THIS DRAWING IS THE SOLE PROPERTY OF AEROFAB NDT. ANY REPRODUCTION IN PART OR AS A WHOLE WITHOUT THE WRITTEN PERMISSION OF AEROFAB NDT IS PROHIBITED.

	NAME	DATE
DRAWN	Alexander Nieto	6/20/2022
CHECKED		6/20/2022

UNLESS OTHERWISE SPECIFIED:



TITLE: **NRK-3ST**

MATERIAL: 4340 STEEL

Equivalent Part #:

SHEET 3 OF 4



NRK-3ST

20 HOLE STANDARD WITH 71 EDM NOTCHES

(x20) .030" x .030" (45°) CORNER NOTCHES ON TOP SIDE OF .500 THICK TOP PLATE

(x20) .030" x .030" (45°) CORNER NOTCHES ON BOTTOM SIDE OF .500 THICK TOPPLATE (OPPOSITE SIDE)

(x20) .250" LONG NOTCH .020 DEEP IN COUNTERSUNK HOLES ON BOTTOM PLATE

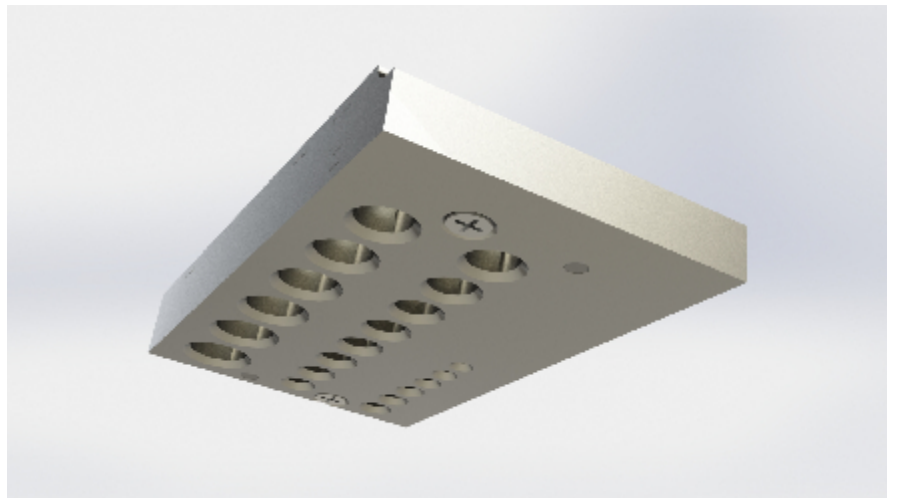
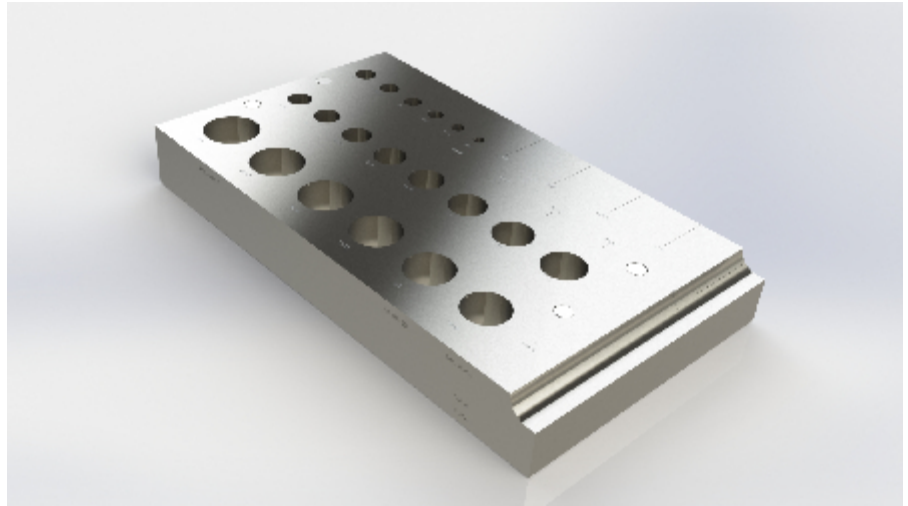
(x4) .750" LONG SURFACE NOTCHES AT DEPTHS ; .005" , .010" , .020" & .050" ON TOP PLATE

(x4) .100" LONG SURFACE NOTCHES AT DEPTHS ; .005" , .010" , .020" & .050" ON TOP PLATE

(x1) .030" LONG BY .010" DEEP SURFACE NOTCH ON TOP PLATE

(x1) .250 RADIUS NOTCH .050 DEEP

(x1) 1" LONG LONGITUDAL RADIUS NOTCH TAPERED FROM .100" DEEP AT EDGE TO .000" AT INBOARD EDGE OF NOTCH



This 4"x 7" x .875" - 20 hole standard with 71 EDM notches comes in a Hi-Impact Waterproof Plastic Case.

Hole Sizes:

5/32 ; 3/16 ; 7/32 ; 1/4 ; 9/32 ; 5/16
11/32 ; 3/8 ; 13/32 ; 15/32 ; 7/16 ; 1/2 ; 17/32 ; 9/16 ;
19/32 ; 5/8 ; 21/32 ; 11/16 ; 23/32 ; 3/4

Countersunk holes on bottom plate at 100 .082 deep

All holes are certified : . +/- .005

All notches are certified : .004" +/- .001"

Unless otherwise specified all other tolerances are :

+/- .030



NDT Supply.com, Inc.
7952 Nieman Road
Lenexa, KS 66214-1560 USA
Phone: (913)-685-0675
Email: sales@ndtsupply.com