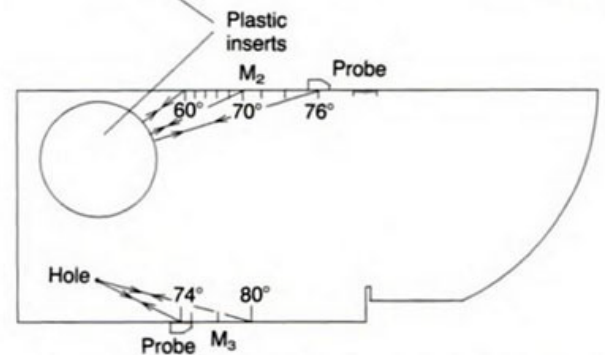
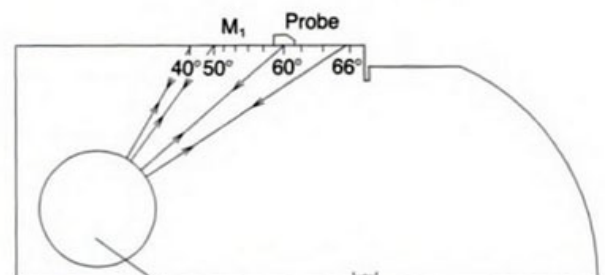
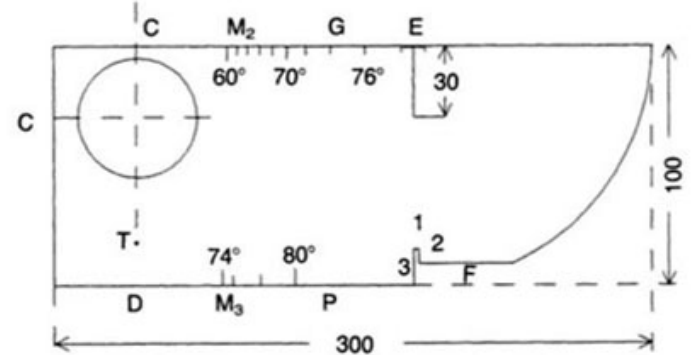
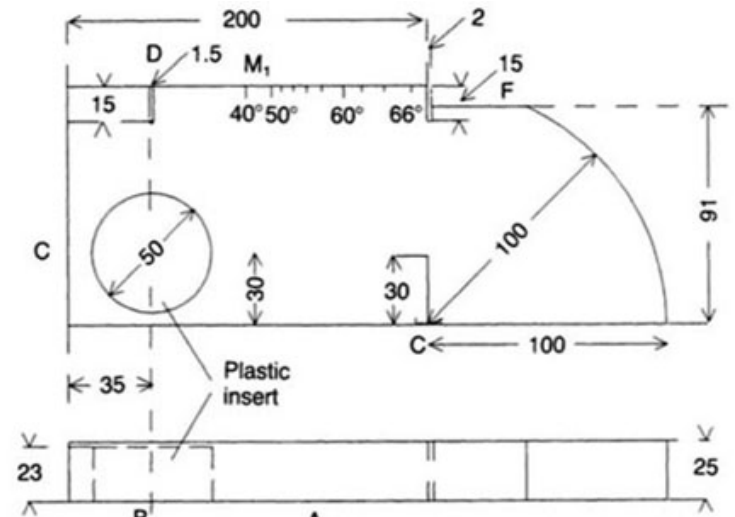


## Ray-Check V-1 Calibration Block IIW

Metric Calibration Block per BS-2704, DIN 54-120, AS 2803 & ISO 2400



**Thickness:** 25mm (1")

**Height:** 100mm (4")

For straight beam calibration

**Radius:** 100mm (4")

With saw cut at Index Point for Angle Beam Calibration: Determining Beam Index Point and Distance Calibration (signals at 4" / 100 and 8" / 200 mm)

**Bore Hole 1:** 50mm (2")

For Probe Angle verification

**Bore Hole 2:** 1.5mm (.06")

For sensitivity adjustment

### Available Materials

Carbon Steel A36/1018

Aluminum 7075

Stainless Steel 304

Titanium 6/4

Inconel 600

Monel 400

### Purchasing Details

- All blocks are supplied with Manufacturer Certificate of Conformance and Material Certification.
- Dimensional / Calibration Certification and Serialization are available at additional cost.
- If needed, make sure to select UT-RC-V1-Cal when adding items to the shopping cart.
- Optional Hardwood Case available upon request.