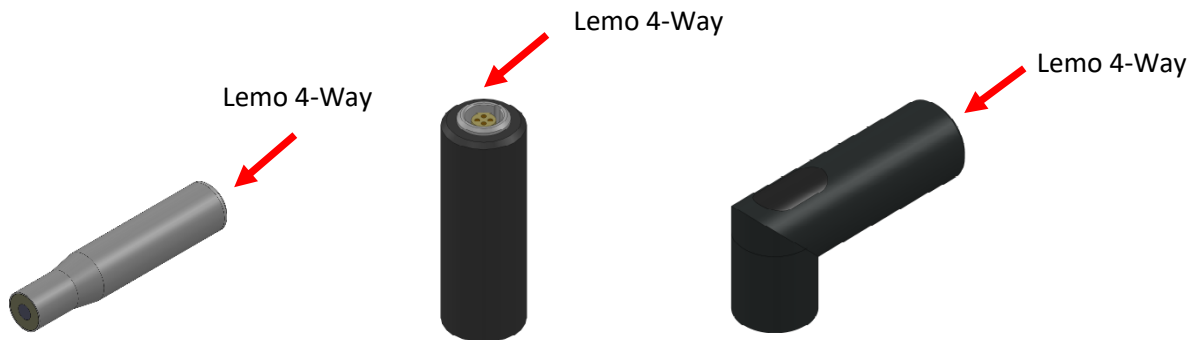


## Spot Face Low Frequency Probes



### Application:

Reflection sub surface probes - for general purpose inspection of sub-surface corrosion and flaws. This probe has excellent depth penetration making it ideal for multi-layer inspections.

### Specification:

- Broad frequency ranges
- Excellent low frequency performance
- Integrated 4-way Lemo connector
- Built in balance coils
- Right angled probes are intrinsically balanced

### Notes:

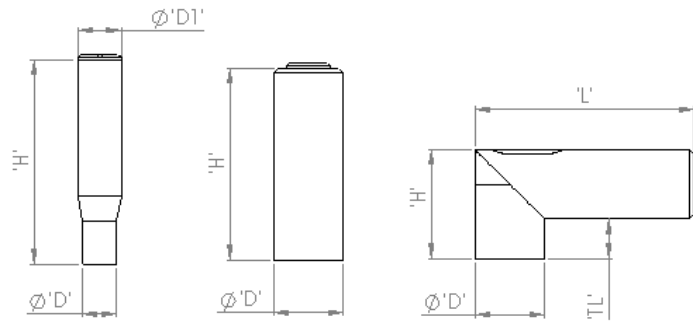
The lower the frequency the deeper the depth of penetration.

**NDT Supply.com, Inc.**

7952 Nieman Road  
Lenexa, KS 66214-1560 USA

Phone: 913-685-0675, Fax: 913-685-1125  
e-mail: [sales@ndtsupply.com](mailto:sales@ndtsupply.com), [www.ndtsupply.com](http://www.ndtsupply.com)





	'D' mm	'D1' mm	'H' mm	'L' mm	'TL' mm
Straight					
PUS07	7	10	47		
PUS08	8	10	47		
PUS11	11		44		
PUS13	13		44		
PUS16	16		44		
PUS24	24		57		
PUS32	32		59		
Right Angled					
PUR11	11		22.6	50	11.5
PUR13	13		21.5	50	8.15
PUR16	16		25	50	9.11
PUR24	24		33.80	58	10.10

### Probe Coding:

Ether NDE Part No.	Description	Ø	Body Material	Frequency Range	Connector
<b>Probe, Surface, Straight</b>					
<b>PUS07</b>	Probe, Surface, Straight,	7mm	St Steel	1kHz – 100kHz	Lemo 4-Way
<b>PUS08</b>	Probe, Surface, Straight,	8mm	St Steel	1kHz – 100kHz	Lemo 4-Way
<b>PUS11</b>	Probe, Surface, Straight,	11mm	Acetal	300Hz – 100KHz	Lemo 4-Way
<b>PUS13</b>	Probe, Surface, Straight,	13mm	Acetal	200Hz – 200KHz	Lemo 4-Way
<b>PUS16</b>	Probe, Surface, Straight,	16mm	Acetal	300Hz – 100kHz	Lemo 4-Way
<b>PUS24</b>	Probe, Surface, Straight,	24mm	Acetal	80Hz – 60KHz	Lemo 4-Way
<b>PUS32</b>	Probe, Surface, Straight,	32mm	Acetal	80Hz – 60KHz	Lemo 4-Way

Ether NDE Part No.	Description	Ø	Body Material	Frequency Range	Connector
<b>Probe, Surface, Right Angled</b>					
<b>PUR11</b>	Probe, Surface, Right Angled,	11mm	Acetal	300Hz – 200KHz	Lemo 4-Way
<b>PUR13</b>	Probe, Surface, Right Angled,	13mm	Acetal	200Hz – 200KHz	Lemo 4-Way
<b>PUR16</b>	Probe, Surface, Right Angled,	16mm	Acetal	300Hz – 100kHz	Lemo 4-Way
<b>PUR24</b>	Probe, Surface, Right Angled,	24mm	Acetal	80Hz – 60KHz	Lemo 4-Way

### Leads to fit above probes:

Ether NDE Part No.	Description	Instrument	Connector Instrument End	Connector Probe End	Cable Length	Configuration
<b>ALL12-L04-015R</b>	Lead	WeldCheck/ AeroCheck/ ETI/ Hocking	Lemo 12-Way	Lemo 4-Way	1.5m	Reflection
<b>ALL07-L04-015R</b>	Lead	Hocking	Lemo 7-Way	Lemo 4-Way	1.5m	Reflection
<b>ALJ06-L04-015R</b>	Lead	Hocking	Jaeger 6-Way	Lemo 4-Way	1.5m	Reflection

## Flat Surface Probes



### Application:

Absolute metal sorting and general surface probes – low profile so ideal for those tight inspection areas.

### Specification:

- Broad frequency ranges
- Integral 1.5m cable
- Built in load
- Low profile

### Notes:

The built in load reduces thermal effect.

### Probe Coding:

ETHer NDE Part No.	Description	Ø	Frequency Range	Inductance (µH)	Connector
<b>Probe, Surface, Flat</b>					***
<b>PUF127-001-010-***</b>	Probe, Surface, Flat	12.7	1.5kHz – 10kHz	3900	Add: L07 for Lemo 7Way
<b>PUF127-005-040-***</b>	Probe, Surface, Flat	12.7	5kHz - 40kHz	560	
<b>PUF127-050-400-***</b>	Probe, Surface, Flat	12.7	50kHz – 400kHz	56	
<b>PUF127-250-02M-***</b>	Probe, Surface, Flat	12.7	250kHz – 2MHz	12	
<b>PUF127-500-06M-***</b>	Probe, Surface, Flat	12.7	500kHz – 6MHz	5.6	L12 for Lemo 12Way
<b>PUF190-001-010-***</b>	Probe, Surface, Flat	19	1.5kHz – 10kHz	3900	J06 for Jaeger 6-Way
<b>PUF190-005-040-***</b>	Probe, Surface, Flat	19	5kHz-40kHz	560	
<b>PUF190-050-400-***</b>	Probe, Surface, Flat	19	50kHz – 400kHz	56	
<b>PUF190-250-02M-***</b>	Probe, Surface, Flat	19	250kHz – 2MHz	12	

**NDT Supply.com, Inc.**

7952 Nieman Road  
Lenexa, KS 66214-1560 USA

Phone: 913-685-0675, Fax: 913-685-1125  
e-mail: [sales@ndtsupply.com](mailto:sales@ndtsupply.com), [www.ndtsupply.com](http://www.ndtsupply.com)

