

technisonic research inc.

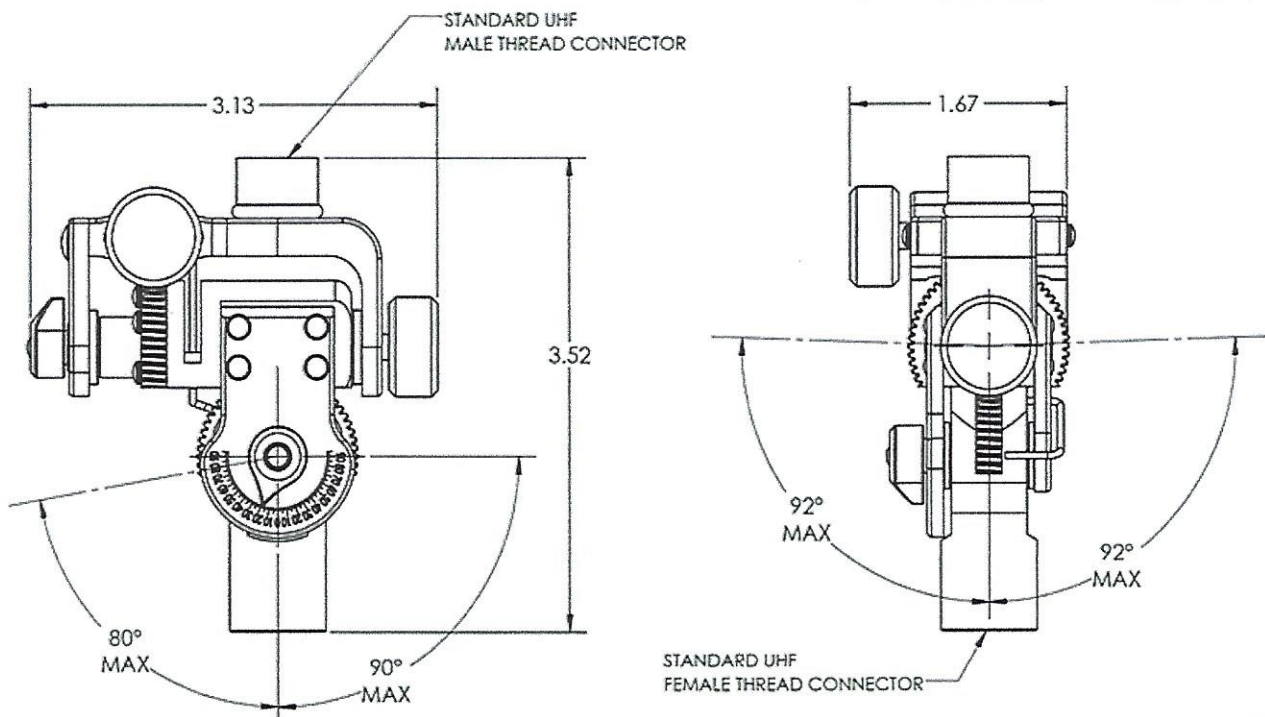
MXY-4000 Mini-Manipulator

The MXY-4000 is a low-mass, low-profile manipulator that maintains broad working arc angles which can be adjusted to a convenient right angle. It is constructed of engineering plastic and stainless steel for maximum corrosion protection and long life.

With the MXY-4000, the positioning of the ultrasonic transducer is smooth and responsive. This is accomplished with the precision worm gears through manual knobs that allow angular motion of 170° on axis 1, and 184° on axis 2.

SPECIFICATIONS:

Dimensions:	3.52" x 3.13" x 1.67"
Backlash:	Less than 6 Arc minutes
Resolution:	Infinitely adjustable
Readouts:	10° Increments Azimuth
Range:	+/- 93° gimbal axis, +/- 49° swivel axis
Positioning:	Infinitely adjustable
Connector:	UHF Male Thread (top), UHF Female Thread (sensor end)
Weight:	12 ounces



NDT Supply.com, Inc.

7952 Nieman Road
Lenexa, KS 66214-1560 USA

Phone: 913-685-0675, Fax: 913-685-1125

e-mail: sales@ndtsupply.com, www.ndtsupply.com

