

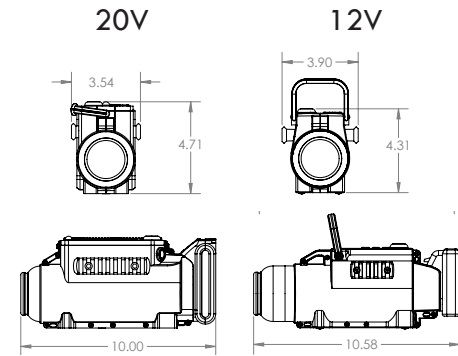
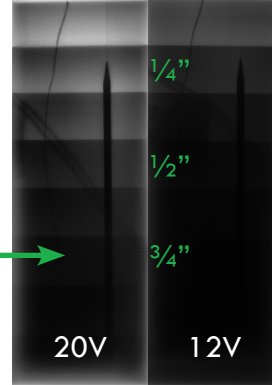
XR150

20V X-RAY GENERATOR

Experience the newly redesigned, more powerful XR150

WHAT'S NEW

- 20V DeWalt battery pack
- Larger 80 character LCD
- Updated head design:
 - Improved output stability
 - 50% more penetrating ability - 3/4" of steel
- Uses pulses instead of counts
- Field upgradable firmware
- Consistent interface with other Golden models



FEATURES

- Programmable delay (5-240 seconds)
- Set multiple pulse trains
- 2 Resettable pulse trackers
- Total pulse count tracker on-board
- Threaded insert for tripod mounting
- Easy-access remote cable connector
- Picatinny Rail for mounting accessories
- Easily removable top plate

SPECIFICATIONS

	XR150-20V	XR150-12V
Dimensions (with battery)	L: 10.49" (26.65 cm)	L: 10.58" (26.87 cm)
(with Picatinny Rails)	W: 3.54" (8.99 cm)	W: 3.90" (9.91 cm)
(without key)	H: 4.71" (11.96 cm)	H: 4.31" (10.95 cm)
Weight (with battery)	5.7 lbs. (2.58 kg)	4.9 lbs (2.22 kg)
Output Dose	2.0 - 2.8 mR per pulse	0.75 - 1.3 mR per pulse
Penetration	3/4" (1.91 cm) steel	1/2" (1.27 cm) steel
Pulse Rate	10 pulses per second	12 pulses per second
Pulses per Battery charge	9000 +	6000
Minimum Standby Time	10 hours	10 hours
IP Rating	IP 54	IP 54
LCD	80 Character	16 Character
Duty Cycle	200 pulses 4 minutes	300 pulses 4 minutes

Golden Engineering
Portable X-ray Technology



7952 Nieman Road, Lenexa, KS 66214-1560 USA
Phone: 913-685-0675, Fax: 913-685-1125
www.ndtsupply.com, sales@ndtsupply.com