

XRS4

20V X-RAY GENERATOR

370 kVp light duty pulsed X-ray machine



 **Golden Engineering**
Portable X-ray Technology

XRS4

20V X-RAY GENERATOR

Pulsed X-ray technology has inherent advantages for field operation compared to conventional constant potential X-ray machines or radioactive sources.



FEATURES

- Maximum 370 kVp
- Menu-based software
- Simple variable pulse setting
- Compatible with CR and DR digital technology
- Modular construction
- Built-in tripod mount

SAFE

- Minimal disruption to facility operations
- 20 ft stand-off distance behind the unit
- Contains no hazardous material

HIGHLY PORTABLE

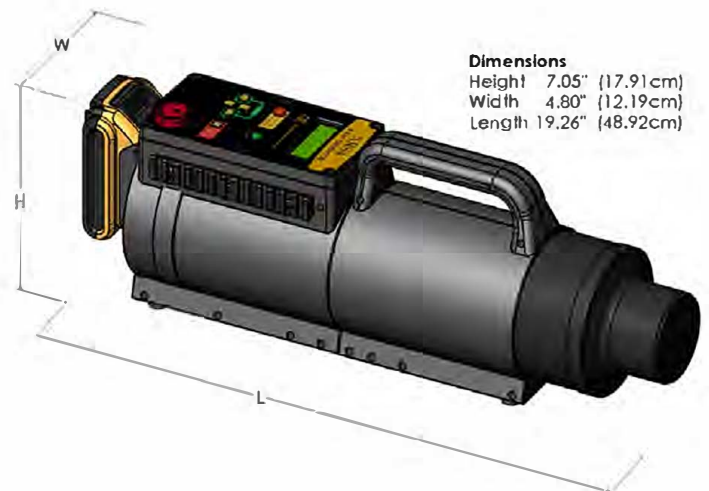
- 18 lb unit with significant penetrating capability
- High energy output voltage with minimal input voltage
- Power, control and tube in a single package design

COST-EFFECTIVE

- Affordable alternative technology
- Minimal regulatory costs
- Significant time and labor savings

SPECIFICATIONS

| | |
|--------------------|--|
| Power: | DeWalt® 20V (18V EU) Battery |
| Weight: | 18.3 lb / 8.3 kg (including battery) |
| Output dose: | 4.5 to 7 mR/pulse measured 12" from source |
| Pulse rate: | 9 pulses per second |
| Source size: | 1/8" (3mm) |
| Max photon energy: | 370 kVp |
| Pulse width: | 10 nanoseconds |
| Beam angle: | 40 degree standard / 60 degree available |
| Current draw: | 17 amp |
| Max duty cycle: | 200 pulses per 4 minutes |
| Warm up: | NONE Required |
| Warranty: | 1 year limited parts, labor, service |



Dimensions
 Height 7.05" (17.91cm)
 Width 4.80" (12.19cm)
 Length 19.26" (48.92cm)



7952 Nieman Road, Lenexa, KS 66214-1560 USA
 Phone: 913-685-0675, Fax: 913-685-1125
www.ndtsupply.com, sales@ndtsupply.com