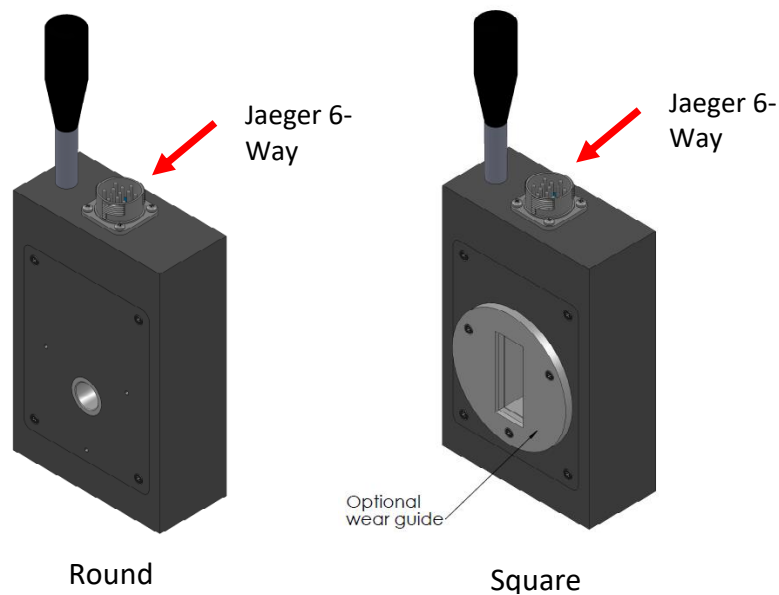


## Large Encircling Probes



### Application:

Absolute – Reflection and Differential - Reflection encircling probes - for use with in-line or off-line high-speed inspection of tubes, wires, bars, etc.

Absolute – Reflection probes ideal for metal sorting, wall thinning and Heat Treatment Applications.

Differential – Reflection probes ideal for defect detection applications, such as cracks and pitting.

**Round** Encircling Probes used to Inspect - Round Bar, Round Tube, Wire, Metal Sorting Applications, Heat Treatment Applications

**Square** Encircling Probes used to Inspect - Square Bar, Square Tube, Box Section, Metal Sorting Applications and Heat Treatment Applications

### Specification:

- Broad frequency range
- Additional wear guides can be added to standard probes, to increase wear resistance, these can be made in PET or St Steel
- Fitted with a Rapid series 12-Way Jaeger connector for quick connection and de coupling

### Notes:

**Probes are manufactured to the size ordered. Please take into account the amount of clearance needed based on the part to be inspected. If unsure, please ask.**

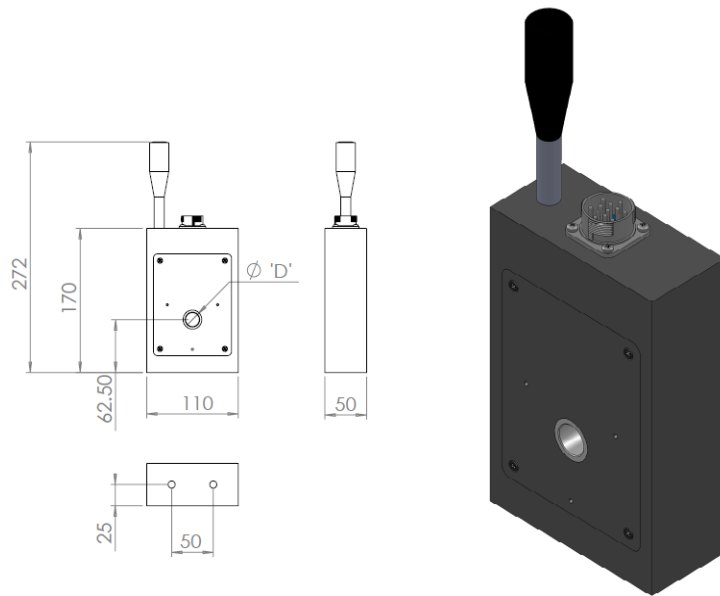
Probes are made to order due to the large variety of configurations available.

NDT Supply.com, Inc.  
7952 Nieman Road  
Lenexa, KS 66214-1560 USA  
Phone: 913-685-0675, Fax: 913-685-1125  
e-mail: [sales@ndtsupply.com](mailto:sales@ndtsupply.com), [www.ndtsupply.com](http://www.ndtsupply.com)



**Probe Coding:**

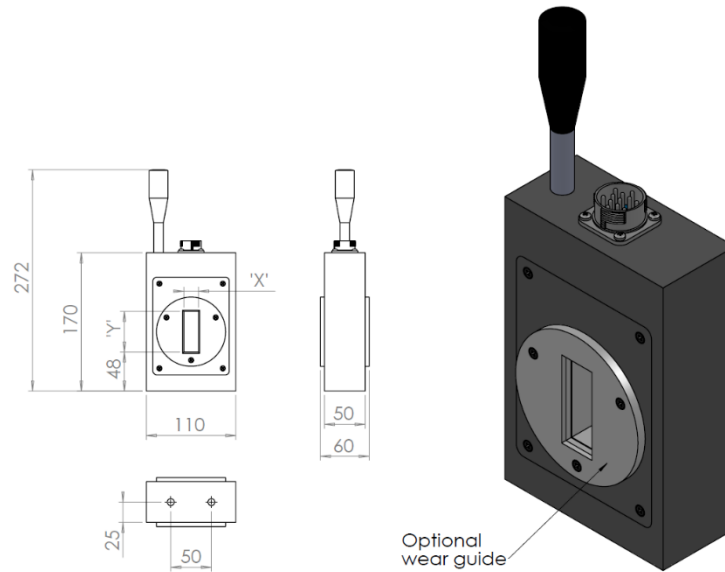
**Round Encircling Probes and Wear Guides**



**Probes are manufactured to the size ordered. Please take into account the amount of clearance needed based on the part to be inspected. If unsure, please ask.**

ETher NDE Part No.	Description	Ø	Frequency	Type
<b>Examples (full range available):</b>				
<b>Probe, Encircling, Round, Dia xxx, Absolute Reflection, Frequency xxx</b>				
<b>PER127A010</b>	Probe, Encircling, Round	12.7	10kHz	Absolute - Reflection
<b>PER180A100</b>	Probe, Encircling, Round	18.0	100kHz	Absolute - Reflection
<b>Probe, Encircling, Round, Dia xxx, Differential - Reflection, Frequency 1-500kHz</b>				
<b>PER127D</b>	Probe, Encircling, Round	12.7	1kHz – 500kHz	Differential - Reflection
<b>PER180D</b>	Probe, Encircling, Round	18.0	1kHz – 500kHz	Differential - Reflection
<b>Accessory, Encircling, Round, Wear Guide, PET/St Steel, Dia xxx,</b>				
<b>AERGP127</b>	Accessory, Encircling, Round, Guide, PET	12.7	Standard - PET (Ertalyte) Guides – A bearing plastic with excellent wear resistance.	
<b>AERGP180</b>	Accessory, Encircling, Round, Guide, PET	18.0		
<b>AERGS127</b>	Accessory, Encircling, Round, Guide, St Steel	12.7	St Steel Guides – For very high wear resistance and high mechanical strength.	
<b>AERGS180</b>	Accessory, Encircling, Round, Guide, St Steel	18.0		

## Square Encircling Probes and Wear Guides



Probes are manufactured to the size ordered please take in account the amount of clearance needed based on the part to be inspected. If unsure, please ask.

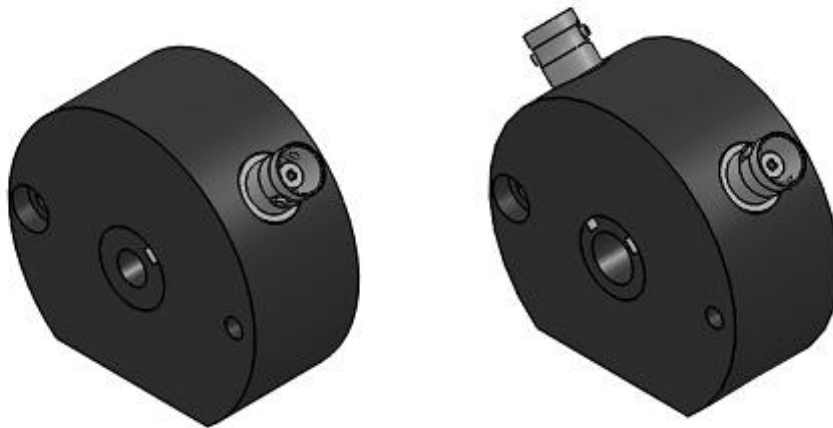
## Round Encircling Probes and Wear Guides

ETHer NDE Part No.	Description	'X' – 'Y'	Frequency	Type
<b>Examples (full range available):</b>				
<b>Probe, Encircling, Square, X= xxx - Y= xxx, Absolute Reflection, Frequency xxx</b>				
<b>PES190-190A010</b>	Probe, Encircling, Square	19.0 – 19.0	10kHz	Absolute - Reflection
<b>PES180-500A100</b>	Probe, Encircling, Square	18.0 – 50.0	100kHz	Absolute - Reflection
<b>Probe, Encircling, Square, X= xxx - Y= xxx, Differential - Reflection, Frequency 1-500kHz</b>				
<b>PES190-190D</b>	Probe, Encircling, Square	19.0 – 19.0	1kHz – 500kHz	Differential - Reflection
<b>PES180-500D</b>	Probe, Encircling, Square	18.0 – 50.0	1kHz – 500kHz	Differential - Reflection
<b>Accessory, Encircling, Square, Wear Guide, PET/St Steel, X= xxx - Y= xxx</b>				
<b>AESGP190-190</b>	Accessory, Encircling, Square, Guide, PET	19.0 – 19.0	Standard - PET (Ertalyte) Guides – A bearing plastic with excellent wear resistance.	
<b>AESGP180-500</b>	Accessory, Encircling, Square, Guide, PET	18.0 – 50.0		
<b>AESGS190-190</b>	Accessory, Encircling, Square, Guide, St Steel	19.0 – 19.0	St Steel Guides – For very high wear resistance and high mechanical strength.	
<b>AESGS180-500</b>	Accessory, Encircling, Square, Guide, St Steel	18.0 – 50.0		

**Leads to fit above probes:**

<b>ETHer NDE Part No.</b>	<b>Description</b>	<b>Instrument</b>	<b>Connector Instrument End</b>	<b>Connector Probe End</b>	<b>Cable Length</b>	<b>Configurati on</b>
<b>ALL12-J12-020AR</b>	Lead	WeldCheck/ AeroCheck/ Vantage/ETi/ Hocking	Lemo 12-Way	Jaeger 12-Way	2.0m	Absolute - Reflection
<b>ALL07-J12-020AR</b>	Lead	Hocking	Lemo 7-Way	Jaeger 12-Way	2.0m	Absolute - Reflection
<b>ALJ06-J12-020AR</b>	Lead	Hocking	Jaeger 6-Way	Jaeger 12-Way	2.0m	Absolute - Reflection
<b>ALL12-J12-020DR</b>	Lead	WeldCheck/ AeroCheck/ ETi/Hocking	Lemo 12-Way	Jaeger 12-Way	2.0m	Differential - Reflection
<b>ALL07-J12-020DR</b>	Lead	Hocking	Lemo 7-Way	Jaeger 12-Way	2.0m	Differential - Reflection
<b>ALJ06-J12-020DR</b>	Lead	Hocking	Jaeger 6-Way	Jaeger 12-Way	2.0m	Differential - Reflection

## Small Encircling Probes



**Absolute**

**Differential (Bridge)**

### Application:

Absolute/Differential encircling Coil - for the inspection of tube, bar and wire. Used for the detection of surface breaking cracks and material sorting.

### Probe Coding:

Examples, more available on request:

ETHer NDE Part No.	Description	Ømm	Frequency Range
<b>Probe, Encircling</b>			
<b>PEA050</b>	Probe, Encircling Coil, Absolute, Dia 5.0mm	5.0	5-50kHz
<b>PEA071</b>	Probe, Encircling Coil, Absolute, Dia 5.0mm	7.1	5-50kHz
<b>PED050</b>	Probe, Encircling Coil, Differential, Dia 5.0mm	5.0	5-50kHz
<b>PED100</b>	Probe, Encircling Coil, Differential, Dia 5.0mm	10.0	5-50kHz

### Leads to fit above probes:

ETHer NDE Part No.	Description	Instrument	Connector Instrument End	Connector Probe End	Cable Length	Configuration
<b>ALLCX-B02-015A</b>	Lead	ETHer	Lemo OO	BNC Plug	1.5m	Absolute
<b>ALL12-B02-B02-015B</b>	Lead	ETHer	Lemo 12-Way	X2 BNC Plugs	1.5m	Bridge

**NDT Supply.com, Inc.**

7952 Nieman Road  
Lenexa, KS 66214-1560 USA

Phone: 913-685-0675, Fax: 913-685-1125  
e-mail: [sales@ndtsupply.com](mailto:sales@ndtsupply.com), [www.ndtsupply.com](http://www.ndtsupply.com)

