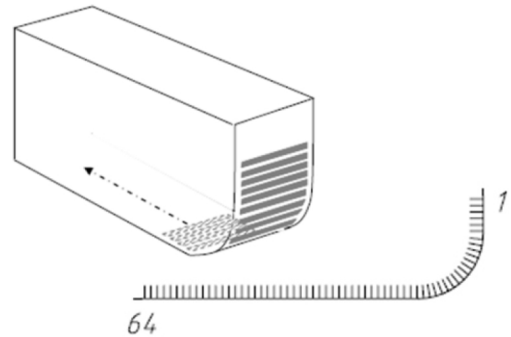


## Complicated Workpiece Probe

### Applications

- For Flat & Curved Combined Surface inspection



### Specifications and Dimensions

Model	Frequency (MHz)	Elements	Pitch (mm)	Active Aperture (mm)	Elevation (mm)	Casing Dimensions						Case Type
						Long (L)		Width (W)		Height (H)		
						mm	in	mm	in	mm	in	
5S16-0.5*10	5	16	0.5	8	10	25	0.98	22	0.87	10	0.39	R11