

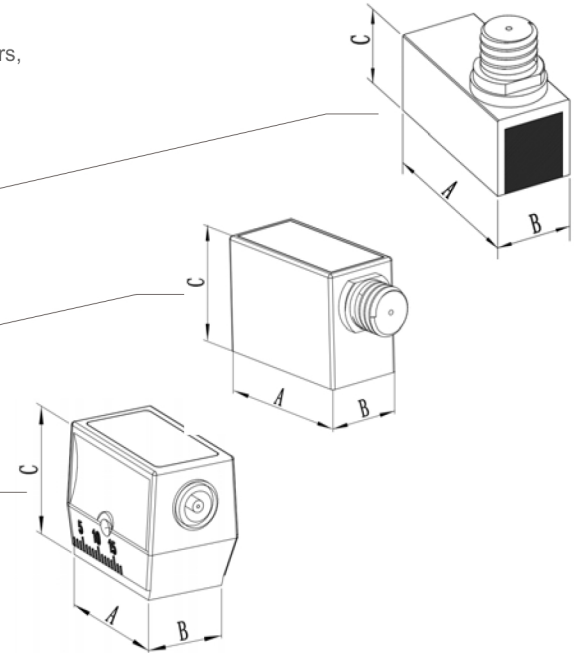
European Standard

- PL Series is the default probe type
- Microdot(L5), Lemo 00(C5), and Lemo 01 (C9) Top Side Mounting Connectors,
- all models can be customized for Top mounting except size 3*4mm

Dimensions								
Specification		A		B		C		Connector Direction
mm	in	mm	in	mm	in	mm	in	
3 x 4	0.12 x 0.16	16.0	0.60	7.0	0.30	7.0	0.30	Microdot/Top Mounting

Dimensions								
Specification		A		B		C		Connector Direction
mm	in	mm	in	mm	in	mm	in	
5x5	0.2 x 0.2	16.0	0.63	8.0	0.31	11.5	0.45	Microdot/Side Mounting

Dimensions								
Specification		A		B		C		Connector Direction
mm	in	mm	in	mm	in	mm	in	
8x9	0.31 x 0.35	27.0	1.10	16.6	0.65	22.0	0.86	Lemo-00/Side Mounting
14x14	0.55 x 0.55	36.0	1.40	21.0	0.80	30.5	1.20	Lemo-1/Side Mounting
20x22	0.79 x 0.87	54.0	2.10	32.0	1.30	44.0	1.70	



Frequency	a x b		$\beta(^{\circ})$	Near Field	Models	
	mm	in			PL	C
1	20 x 22	0.79 x 0.87	45	45	1.8	A1P20 x 22A45 A1C20 x 22A45
1	20 x 22	0.79 x 0.87	60	45	1.8	A1P20 x 22A60 A1C20 x 22A60
1	20 x 22	0.79 x 0.87	70	45	1.8	A1P20 x 22A70 A1C20 x 22A70
2	8 x 9	0.31 x 0.35	38	15	0.6	A2P8 x 9A38 A2C8 x 9A38
2	8 x 9	0.31 x 0.35	45	15	0.6	A2P8 x 9A45 A2C8 x 9A45
2	8 x 9	0.31 x 0.35	60	15	0.6	A2P8 x 9A60 A2C8 x 9A60
2	8 x 9	0.31 x 0.35	70	15	0.6	A2P8 x 9A70 A2C8 x 9A70
2	8 x 9	0.31 x 0.35	90	15	0.6	A2P8 x 9A90 A2C8 x 9A90
2	14 x 14	0.55 x 0.55	45	39	1.5	A2P14 x 14A45 A2C14 x 14A45
2	14 x 14	0.55 x 0.55	60	39	1.5	A2P14 x 14A60 A2C14 x 14A60
2	14 x 14	0.55 x 0.55	70	39	1.5	A2P14 x 14A70 A2C14 x 14A70
2	20 x 22	0.79 x 0.87	38	92	3.6	A2P20 x 22A38 A2C20 x 22A38
2	20 x 22	0.79 x 0.87	45	92	3.6	A2P20 x 22A45 A2C20 x 22A45
2	20 x 22	0.79 x 0.87	60	92	3.6	A2P20 x 22A60 A2C20 x 22A60
2	20 x 22	0.79 x 0.87	70	92	3.6	A2P20 x 22A70 A2C20 x 22A70
4	8 x 9	0.31 x 0.35	38	30	1.2	A4P8 x 9A38 A4C8 x 9A38
4	8 x 9	0.31 x 0.35	45	30	1.2	A4P8 x 9A45 A4C8 x 9A45
4	8 x 9	0.31 x 0.35	60	30	1.2	A4P8 x 9A60 A4C8 x 9A60



Frequency		a x b		$\beta(^{\circ})$	Near Field		Models	
MHz	mm	in	Steel	mm	in	PL	C	
4	8 x 9	0.31 x 0.35	70	30	1.2	A4P8 x 9A70	A4C8 x 9A70	
4	8 x 9	0.31 x 0.35	90	30	1.2	A4P8 x 9A90	A4C8 x 9A90	
4	14 x 14	0.55 x 0.55	45	78	3.0	A4P14 x 14A45	A4C14 x 14A45	
4	14 x 14	0.55 x 0.55	60	78	3.0	A4P14 x 14A60	A4C14 x 14A60	
4	14 x 14	0.55 x 0.55	70	78	3.0	A4P14 x 14A70	A4C14 x 14A70	
4	20 x 22	0.79 x 0.87	38	184	7.2	A4P20 x 22A38	/	
4	20 x 22	0.79 x 0.87	45	184	7.2	A4P20 x 22A45	/	
4	20 x 22	0.79 x 0.87	60	184	7.2	A4P20 x 22A60	/	
4	20 x 22	0.79 x 0.87	70	184	7.2	A4P20 x 22A70	/	
5	5 x 5	0.2 x 0.2	45	13	0.5	A5P5*5A45	A5C5*5A45	
5	5 x 5	0.2 x 0.2	60	13	0.5	A5P5*5A60	A5C5*5A60	
5	5 x 5	0.2 x 0.2	70	13	0.5	A5P5*5A70	A5C5*5A70	
5	14 x 14	0.55 x 0.55	45	100	3.9	A5P14 x 14A45	/	
5	14 x 14	0.55 x 0.55	60	100	3.9	A5P14 x 14A60	/	
5	14 x 14	0.55 x 0.55	70	100	3.9	A5P14 x 14A70	/	
6	3 x 4	0.12 x 0.16	45	7	0.27	A6P3*4A45	A6C3*4A45	
6	3 x 4	0.12 x 0.16	60	7	0.27	A6P3*4A60	A6C3*4A60	
6	3 x 4	0.12 x 0.16	70	7	0.27	A6P3*4A70	A6C3*4A70	