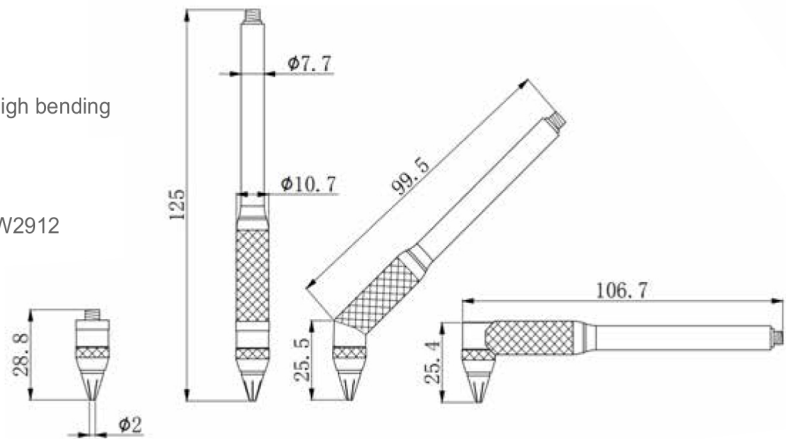


## Delay Line Probe - Pen Type

- Replaceable Delay Lines
- Ultra Small Contact area of probe front, suitable for high bending surface detection, such as turbine blades
- 3Types Handle Bars: horizontal, 45° and 90°
- Replaceable Horizontal Handle Bar
- Delay Line can be purchased separately, Model: 1GW2912
- Microdot (L5) Tail-end Mounting Connector



| Probe Specification |          |       |                |
|---------------------|----------|-------|----------------|
| Frequency           | Diameter |       | Models         |
|                     | MHz      | mm    |                |
| 15                  | 3        | 0.125 | P-15P3-H (0°)  |
| 15                  | 3        | 0.125 | P-15P3-H (45°) |
| 15                  | 3        | 0.125 | P-15P3-H (90°) |

