

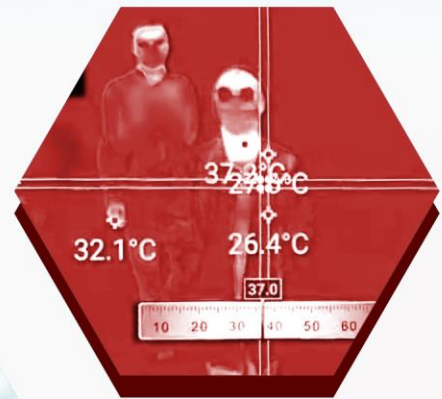
NDT Supply.com, Inc.
7952 Nieman Road
Lenexa, KS 66214-1560 USA

Phone: 913-685-0675, Fax: 913-685-1125
e-mail: sales@ndtsupply.com, www.ndtsupply.com



Therm-App[®] MD

ANDROID-SUPPORTED THERMOGRAPHIC
IMAGING DEVICE



CATCH IT BEFORE
IT SPREADS



In 2003, OPGAL was the first on the market to employ thermal imaging cameras to measure the skin temperature of airline passengers passing through airport checkpoints located within SARS-affected regions.

People exhibiting elevated skin temperatures, which may indicate a fever, could then be isolated for further evaluation to determine the cause.

Similar quarantine procedures may help minimize the spread of the Coronavirus outbreak.

ThermApp MD is a vital tool for fever detection in high-risk areas.

Therm-App[®] MD
more to see.



Uniquely calibrated to measure temperature differences on human skin.



Supported devices:
Android 8 and up.

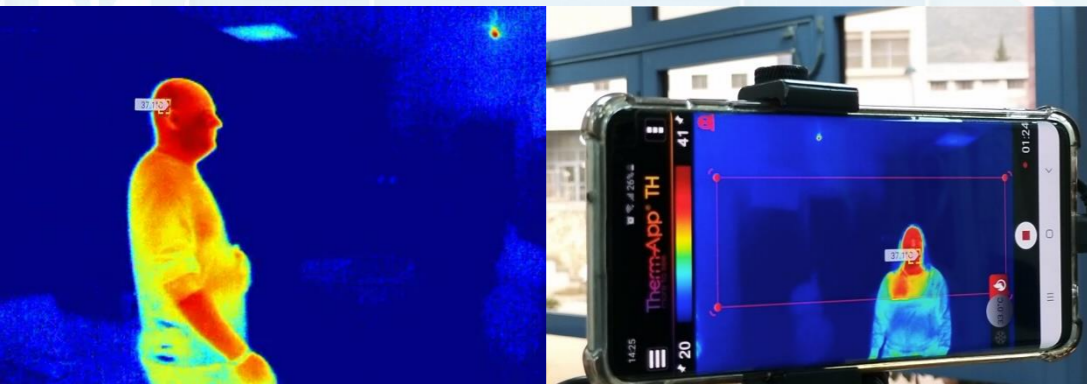


Includes a Mini Android Single Board Computer source.



Available in a 6.8mm and 19mm lens configuration.

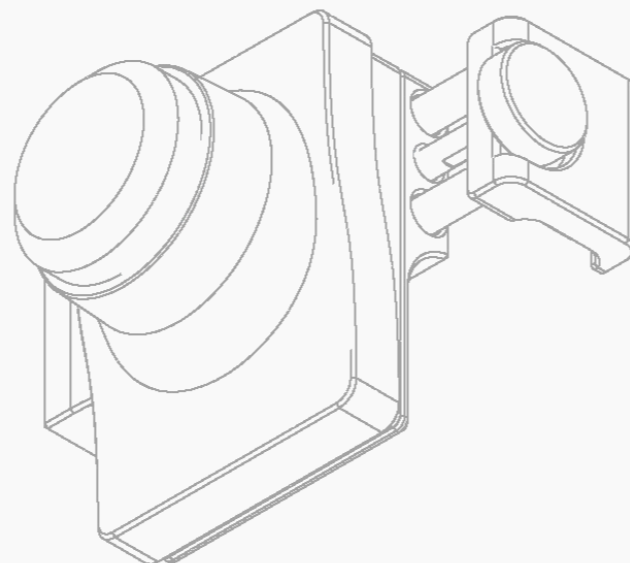




KEY FEATURES

- Remote sensor; no crowd flow interference.
- Real-time operation; no individual measurements required.
- Several systems operating from a single command center.
- Adjustable temperature threshold set by operator.
- Blinking suspect image.
- Audio alarm warning.
- Standalone – no need for additional calibrating equipment.

Smartphone	
Minimal Requirements	Android 8 and above, supporting USB OTG
High Resolution Touchscreen	Yes *
Software	
Measurement Tools	Center Spot Hot/cold threshold based pallets Manual and auto scale
Measurement Settings	Emissivity, Reflected Temperature
Annotations	Text & Video Annotations
Output	Video & Audio (H.264), Snapshot (IR, VIS, Metadata)
Instant Share	Dropbox, Email, SMS
Android Share	Via media gallery
Color Palettes	Rainbow, Iron, Vivid, Grey, Red Hot, Blue Cold, PSY, Lava, Green
Temperature Scale Range	Auto, Manual
Zoom	Continuous digital zoom using touchscreen
Feature updates	Yes (via Google Play)
Maintenance	Bad pixel repair utility
Quick access menu	One touch
Package includes	Thermal Camera OTG Cable Mini Android Single Board Computer 100-200VAC power cable
Measurement	
Resolution	384 x 288 pixels (>110,000 pixels)
Accuracy	+/-1°C @ target temperature ranges of 25°- 45° C (@ ambient temp. of 25°C)
Sensitivity	NETD <0.07°C
Temperature Range	0 – 50 °C
NUC Calibration	Shutterless
Camera Hardware	
Imager	384 x 288 microbolometer LWIR 7.5 - 14um
Optics	6.8mm lens (55° x 41°). Optional lenses available.
Focus	Manual, 0.2m to infinity
Frame Rate	8.7Hz
Weight	123 grams / 4.33 ounces
Size	55 x 65 x 40mm (2.16 x 2.55 x 1.57in)
Operating Temperature	-10°C to +50°C (14°F to +122°F)
Storage Temperature	-20°C to +60°C (-4°F to +140°F)
Power Supply	No battery, 5V over USB OTG cable, power consumption < 0.5W
Certifications	CE, FCC, RoHS
Encapsulation	IP54
Visible Camera	Typically 8 megapixels*
Mount/Handle	Standard tripod mount, using 1/4"-20
Device Attachment	Clip-on for smartphone (5 -10cm span)



ORDER HERE 

