

Golden Engineering XRS-3



The XRS-3 is a 270 kV, battery powered, pulsed X-ray generator used in security and light industrial applications. The XRS-3 is the most versatile unit because it provides exceptional penetrating ability, up to 1" of steel when used with various digital imaging systems, in a compact package. The compact design features a battery pack, sturdy glass tube, high voltage head and electronic controls in a single package weighing less than 13 pounds. Spare battery packs are easy to come by because the XRS-3 is powered by the same commercially available battery packs that power DeWalt cordless tools. The XRS-3 shares the same electronic controls and battery as the XR200 which enhances the versatility of both models.

It can withstand extreme environments including arctic and desert conditions. The XRS-3 is compatible with numerous digital imaging systems to make a powerful and highly portable X-ray system.

Key Features & Benefits:

Features:

- Maximum 270 kVp
- Weather-resistant housing
- 18V DeWalt battery
- Simple variable pulse setting
- Compatible with CR and DR digital technology
- Removable tripod mount

Safe:

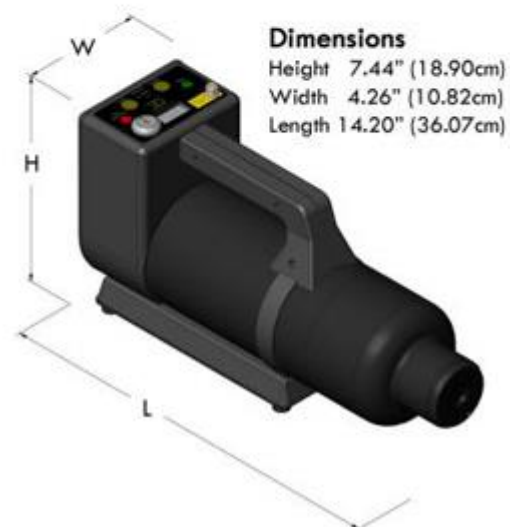
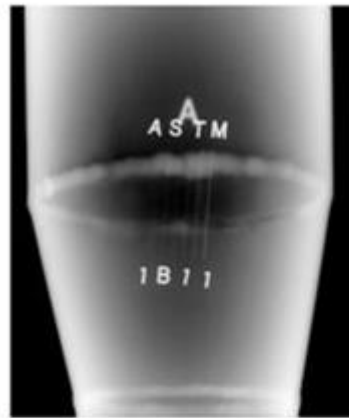
- Minimal disruption to facility operations
- 20 ft. stand-off distance behind the unit
- Contains no hazardous material

Highly Portable:

- 13 lbs. unit with significant penetrating capability
- High energy output voltage with minimal input voltage
- Power, control and tube in a single package design

Cost Effective:

- Affordable alternative technology
- Minimal regulatory costs
- Significant time and labor savings



Dimensions
Height 7.44" (18.90cm)
Width 4.26" (10.82cm)
Length 14.20" (36.07cm)



Specifications:

Power:	DeWalt DC9096 18V Battery
Weight:	13 lbs. (5.91 kg) including battery
Output Dose:	2.7 mR / pulse min measured 12" from the source
Pulse Rate:	15 pulses per second
Source Size:	1/8" (3mm)
Max Photon Energy:	270 kVp
Pulse Width:	25 nanoseconds
Beam Angle:	40 degree standard / 60 degree available upon request
Current Draw:	20 amps
Max Duty Cycle:	200 pulses per 4 minutes
Warm Up:	None Required
Warranty:	1-year limited parts, labor and service